



# PORTABLE/STACKABLE Fire Extinguisher Stand

## Detail & Submittal Sheet

Project: \_\_\_\_\_  
 Specification Reference: \_\_\_\_\_  
 Model Number: \_\_\_\_\_ Quantity: \_\_\_\_\_  
 Architect: \_\_\_\_\_  
 Contractor: \_\_\_\_\_  
 Distributor: \_\_\_\_\_  
 Approved By: \_\_\_\_\_  
 Date: \_\_\_\_\_

### Construction Specifications:

**Portable/Stackable Fire Extinguisher Stand (P/S 250)** makes it easy to move from jobsite to jobsite. Only 14 lbs. The P/S 250 goes anywhere you need it. This fire extinguisher stand holds 5, 10, or 20 lb. extinguisher and is ideal for construction sites, exhibit halls, workshops or wherever a fire extinguisher is required but cannot be permanently mounted.

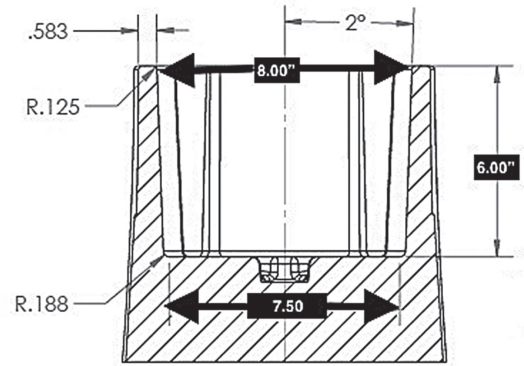
- P/S 250 is for 5, 10, and 20 lb. extinguishers which are not included.

### Product Features:

- Designed to Nest & Stack.
- Measures 34" in Height
- Actual: 21-1/4" x 21-1/4" x 34"
- 4 FIRE Decals Affixed
- Durable HDPE Red Plastic
- Tip Resistant
- Holds 5, 10, or 20 lb. Extinguishers
- Flame retardant
- Weight: 14 Lbs
- OSHA Compliant
- Mobile, goes wherever you need Extinguishers present,
- Easily cleaned
- No padlock required



**BuyOnline**



P/S 250  
Extinguisher Not  
Included

✓	Mod. #	Turnback	Interior Storage Size			Overall Area		Carton Amt	Accom. Ext Size Lbs.
			W	H	D	W	H		
<b>Portable/Stackable Fire Extinguisher Stand</b>									
	P/S-250	-	8"	6"	7 1/2"	21 1/4"	34"	1	5, 10, & 20

Fire Extinguisher Not Included

