



StrikeFirstUSA.com 

PROUDLY
MADE IN VIRGINIA-USA 

TITAN Aluminum Series Fire Extinguisher Cabinets (Non-Rated)

Buy Online 



107-TN



116-TN



127-TN

106-TN



118-TN



128-TN



Maintaining the Highest & Most Consistent Quality!



TN-TITAN Aluminum Series Fire Extinguisher Cabinets (Non-Rated)

Detail & Submittal Sheet

Project: _____
 Specification Reference: _____
 Model Number: _____ Quantity: _____
 Architect: _____
 Contractor: _____
 Distributor: _____
 Approved By: _____
 Date: _____

Construction Specifications:

Titan Aluminum Series cabinets are constructed of non-extruded .063 thick aluminum with grey finish powder coat. All non-rated cabinets come standard with steel tubs, chrome steel handles and clear acrylic glazing.

To comply with ADA Guidelines, Extinguishers and Cabinets offer handles, brackets and turnbacks according to instructions provided by installer. For ADA compliance follow the specification ordering process dimensions in our catalog. Proper installation in accordance with the ADA Guidelines is the sole responsibility of the installer. For more information please visit the Accessibility Guidelines for Buildings and Facilities web-site or call them at 1-800-872-2253.

SPECIFICATION PROCESS: Follow the steps below to specify your cabinet.

STEP 1: EXTINGUISHER SIZE:
 5 - 5 lb. 1 - 10 lb. 2 - 20 lb.

STEP 2: CABINET STYLE:
 0 - Surface Mounted (S)
 1 - Semi-Recessed (SR)
 2 - Fully-Recessed (FR)

STEP 3: DOOR STYLE:
 6 - Full Glass (FG)
 7 - Full Metal (FM)
 8 - Vertical Duo (VD)

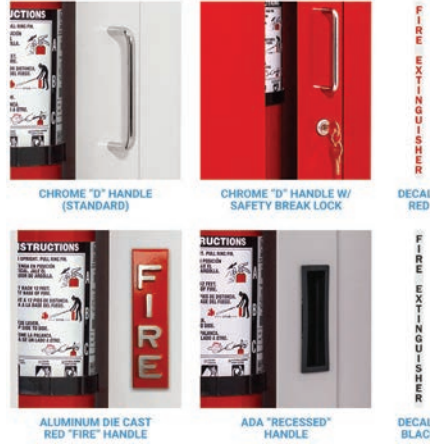
STEP 4: SERIES:
 TN - Aluminum Cabinet

STEP 5: CABINET TYPE:
 Non-Fire Rated

STEP 6: FINISH (Standard):
 FAL - Full Aluminum w/Baked Grey Enamel (Standard)

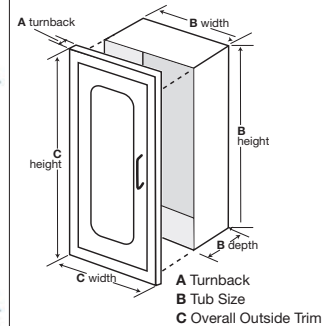
- FALR** - Full Aluminum w/Baked Red Enamel (Standard)
 FALB - Full Aluminum w/Baked Black Enamel (Standard)
- STEP 7: HANDLE/ACCESSORY OPTIONS:**
 007 - Chrome "D" Handle (Standard)
 008 - Chrome "D" Handle w/Safety Break Glass
 010 - Aluminum Die Cast Red "Fire" Handle
 012 - ADA "Recessed" Handle
- STEP 8: GLAZING:**
 G11 - Clear Acrylic (standard)
 G12 - Clear Tempered Glass
- STEP 9: LETTERING:**
 004 - Decal "Fire Ext." Vertical R/B

Options



BuyOnline

How to Measure a Cabinet



✓	Mod. #	Interior Tub Size			Overall Outside Trim		Rough Opening			Turnback	Accom. Ext Size Lbs.	
		W	H	D	W	H	W	H	D			
Surface Mounted												
	506-TN	8"	17"	5"	8 1/2"	17 1/2"	-	-	-	-	5	✓
	507-TN	8"	17"	5"	8 1/2"	17 1/2"	-	-	-	-	5	✓
	508-TN	8"	17"	5"	8 1/2"	17 1/2"	-	-	-	-	5	✓
	106-TN	9 1/2"	24"	6"	10"	24 1/2"	-	-	-	-	10	✓
	107-TN	9 1/2"	24"	6"	10"	24 1/2"	-	-	-	-	10	✓
	108-TN	9 1/2"	24"	6"	10"	24 1/2"	-	-	-	-	10	✓
	206-TN	12"	27"	8"	12 1/2"	27 1/2"	-	-	-	-	20	✓
	207-TN	12"	27"	8"	12 1/2"	27 1/2"	-	-	-	-	20	✓
	208-TN	12"	27"	8"	12 1/2"	27 1/2"	-	-	-	-	20	✓
Semi-Recessed												
	516-TN	8"	17"	5"	10 3/4"	19 3/4"	10"	19"	4 1/2"	1 3/4"	5	✓
	517-TN	8"	17"	5"	10 3/4"	19 3/4"	10"	19"	4 1/2"	1 3/4"	5	✓
	518-TN	8"	17"	5"	10 3/4"	19 3/4"	10"	19"	4 1/2"	1 3/4"	5	✓
	116-TN	9 1/2"	24"	6"	13 1/2"	28 1/2"	9 3/4"	24 1/4"	3 1/2"	2 1/2"	10	✓
	117-TN	9 1/2"	24"	6"	13 1/2"	28 1/2"	9 3/4"	24 1/4"	3 1/2"	2 1/2"	10	✓
	118-TN	9 1/2"	24"	6"	13 1/2"	28 1/2"	9 3/4"	24 1/4"	3 1/2"	2 1/2"	10	✓
	216-TN	12"	27"	8"	16"	31"	12 1/4"	27 1/4"	5"	3"	20	*
	217-TN	12"	27"	8"	16"	31"	12 1/4"	27 1/4"	5"	3"	20	*
	218-TN	12"	27"	8"	16"	31"	12 1/4"	27 1/4"	5"	3"	20	*
Fully-Recessed												
	526-TN	8"	17"	5"	12"	21"	8 1/4"	17 1/4"	4 3/4"	1/4"	5	✓
	527-TN	8"	17"	5"	12"	21"	8 1/4"	17 1/4"	4 3/4"	1/4"	5	✓
	528-TN	8"	17"	5"	12"	21"	8 1/4"	17 1/4"	4 3/4"	1/4"	5	✓
	126-TN	9 1/2"	24"	6"	13 1/2"	28 1/2"	10"	24 1/4"	6 1/2"	1/4"	10	✓
	127-TN	9 1/2"	24"	6"	13 1/2"	28 1/2"	10"	24 1/4"	6 1/2"	1/4"	10	✓
	128-TN	9 1/2"	24"	6"	13 1/2"	28 1/2"	10"	24 1/4"	6 1/2"	1/4"	10	✓
	226-TN	12"	27"	8"	16"	31"	12 1/2"	27 1/2"	8 1/4"	1/4"	20	✓
	227-TN	12"	27"	8"	16"	31"	12 1/2"	27 1/2"	8 1/4"	1/4"	20	✓
	228-TN	12"	27"	8"	16"	31"	12 1/2"	27 1/2"	8 1/4"	1/4"	20	✓

Installation Options

