



StrikeFirstUSA.com 

PROUDLY
MADE IN VIRGINIA-USA 

CLASSIC Economy Series Fire Extinguisher Cabinets (Non-Rated)

Buy Online 



999-SR-CL



999-CL



999-CL-RD



999-SR-CL-RD



999-CL

Maintaining the Highest & Most Consistent Quality!



CL-CLASSIC Economy Series Fire Extinguisher Cabinets (Non-Rated)

Economical Choice!

Detail & Submittal Sheet

Construction Specifications:

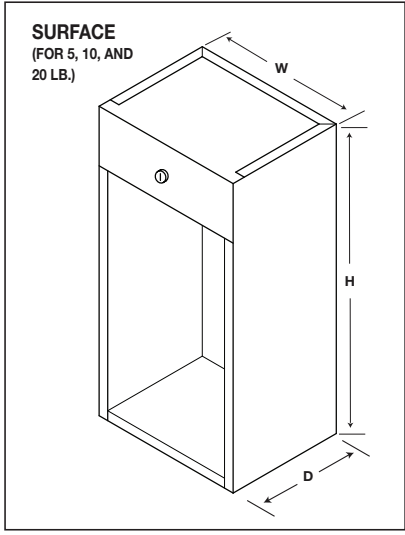
CLASSIC Premium Series cabinets are 20 gauge cold rolled steel.

Standard with:

- Cylinder lock, all items are keyed alike
- Baked white enamel finish
- Acrylic glass
- Breaker bar and chain
- Break glass decal

Finish Options:

- Baked black enamel
- Baked red enamel

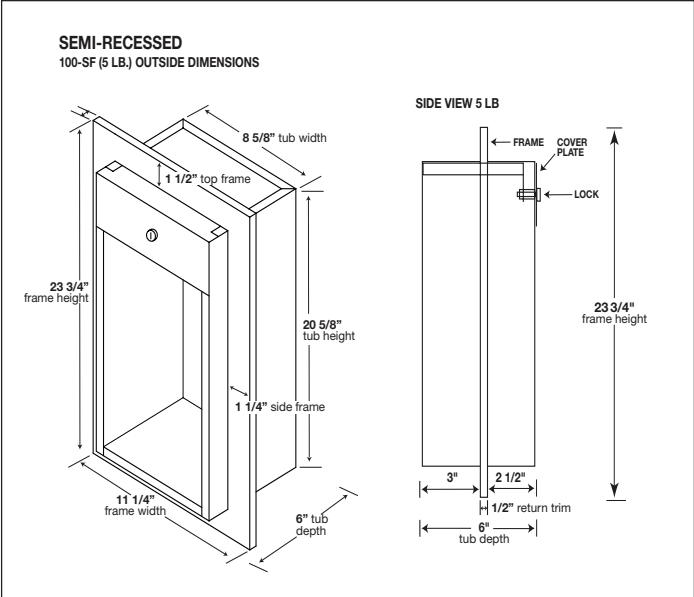
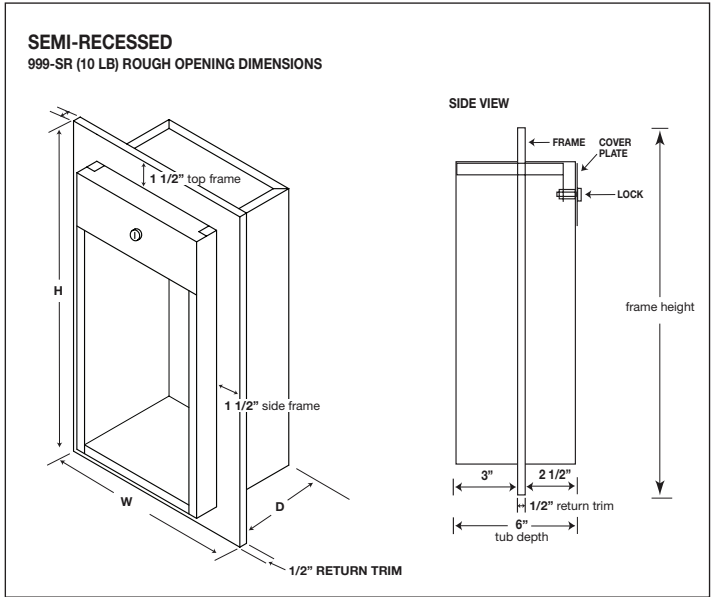


Project: _____
 Specification Reference: _____
 Model Number: _____ Quantity: _____
 Architect: _____
 Contractor: _____
 Distributor: _____
 Approved By: _____
 Date: _____

BuyOnline



Replacement Acrylic, scored or unscored (decals sold separately)



✓	Mod. #	Turnback	Interior Tub Size			Overall Outside Trim		Rough Opening			Accom. Ext Size
			W	H	D	W	H	W	H	D	Lbs.
Surface Mounted											
	100-CL	-	8 3/4"	20"	5 3/4"	-	-	-	-	-	5
	999-CL	-	10 1/2"	24"	6"	-	-	-	-	-	10
	104-CL	-	13 3/4"	29 3/4"	8 3/4"	-	-	-	-	-	20
Semi-Recessed											
	100-SR-CL	-	8 3/4"	20"	5 3/4"	11 3/4"	23 1/8"	9 1/4"	20 3/4"	3 1/2"	5
	999-SR-CL	-	10 1/2"	24"	6"	13 3/4"	27 1/2"	10 3/4"	24 1/2"	3 1/2"	10
	104-SR-CL	-	13 3/4"	29 3/4"	8 3/4"	-	-	-	-	3 1/2"	20
Replacement Acrylic											
			Acrylic Size								
	Acrylic 100	-	8 3/4"	18"	Scored/unscored replacement acrylic						
	Acrylic 999	-	10 1/2"	21 3/4"	Scored/unscored replacement acrylic						
	Acrylic 104	-	14"	27 1/2"	Scored/unscored replacement acrylic						

Revised 6-2020

