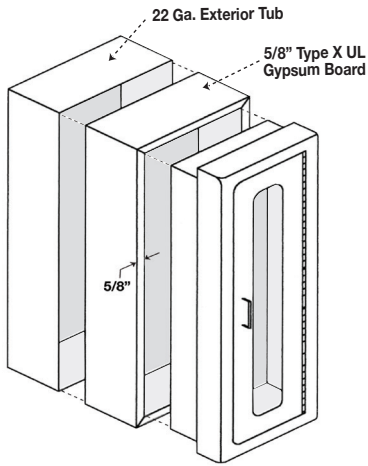
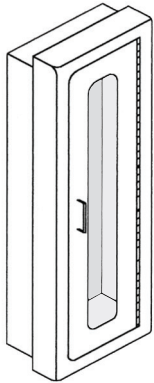


CABINET MEASURING GUIDELINES

SAFEGUARD Fire Rating Assembly

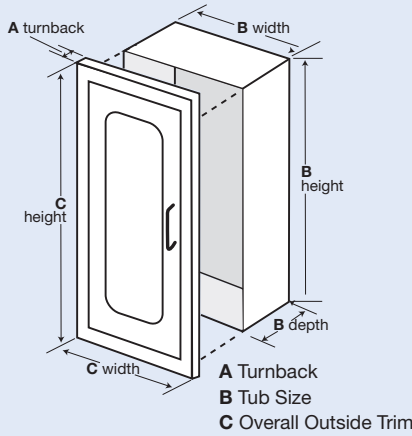


Non-Rated



ELITE Series cabinet fronts are 16 gauge cold rolled steel with 22 gauge cold rolled steel tubs. Features full length piano type hinge.

How to Measure a Cabinet

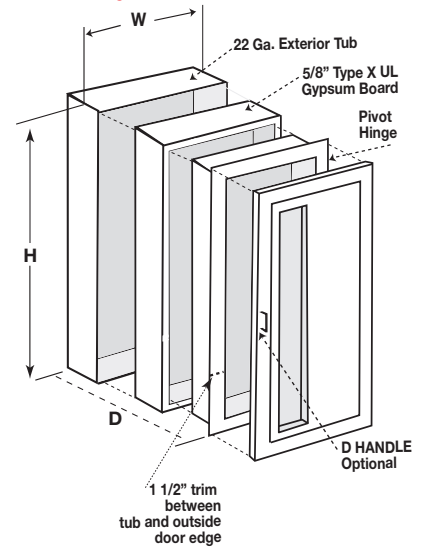


Rough opening for all cabinets should be 1/4" larger than actual tub size.

Turnback measurement varies depending on the type and size of cabinet. **ELITE** series semi-recessed is 1 3/4" for 5lb., 2 1/2" for 10lb, and 3" for 20lb. Fully recessed is 1/4" for all sizes. **ELITE** series fire-rated semi-recessed is 1 3/4" for 5lb., 3" for 10lb., and 4" for 20lb. Fire-rated fully recessed is 1/4" for all sizes. **TITAN** series aluminum cabinets are available in the 5, 10, and 20lb with the same trim sizes as the ELITE series. **SONOMA** series cabinets are all trimless.

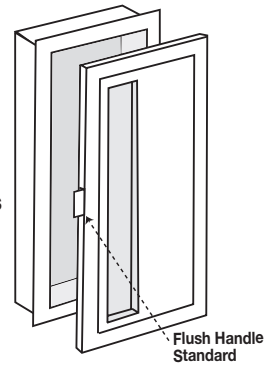
For more information on measuring and specifying the size of cabinet you need, contact our customer service department.

SONOMA Series Fire Rating Assembly



SONOMA Series Non-Rated

SONOMA Series cabinets are fully recessed and have a concealed hinge.



INSTALLATION OPTIONS

Installs in concrete, masonry, wood, and metal stud walls

Top View	Surface	Semi-Recessed 1 3/4" Turnback 5lb. Only *Note: 1 3/4" Turnback on 5lb Safeguard	Semi-Recessed 2-1/2" Turnback Standard on 10lb. Safeguard	Fully-Recessed 1/4" Turnback	Bubble Cabinet 1" Turnback on 20lb 1-1/2" Turnback on 10lb See Bubble Extensions below	Valve Cabinet Fully-Recessed 1/4" Turnback	Valve & Extinguisher Cabinet Fully-Recessed 1/2" Turnback
Side View					1 3/4" for 10lb 2 3/4" for 20lb		

FIRE-RATED INSTALLATION GUIDELINE

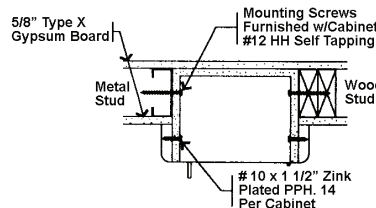


UL Classified 5/8" Type X gypsum board inserted in the cavity between the two layers. Warnock Hersey has approved the Safeguard Cabinets to be mounted in any face of fire rated steel or wood stud for up to 2 hour rated walls without affecting its fire rating. The above meets the requirement test ASTM-E119-98 with test report WHI-495-1534. MOUNTING INSTRUCTIONS are supplied with each safeguard cabinet.

SAFEGUARD

Typical Semi-Recessed Fire Rated Installation

ONE HOUR FIRE WALL SYSTEM



TWO HOUR FIRE WALL SYSTEM

