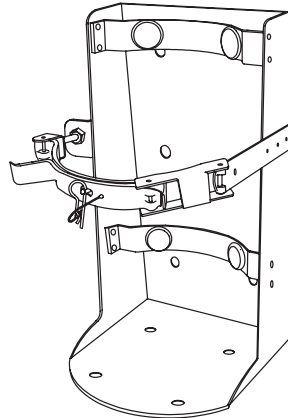
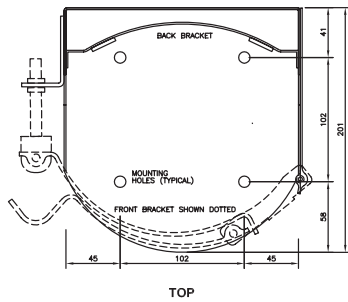
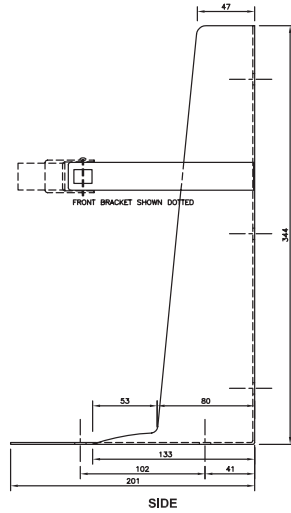
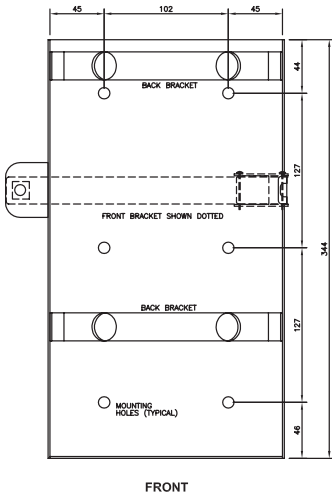


Features

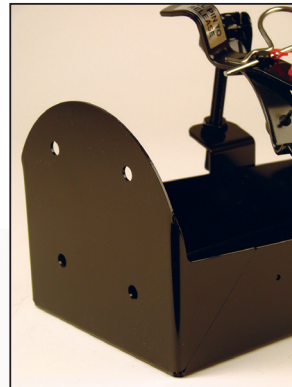
- Can fit most* ABC extinguishers
- Polyester powder coat finish
- Welded steel construction with a stainless steel pull pin and safety retainer to keep bracket from vibrating open
- Individually boxed
- Ideal for forklifts, industrial trucks and delivery vehicles
- Coast Guard approved with ABC extinguishers



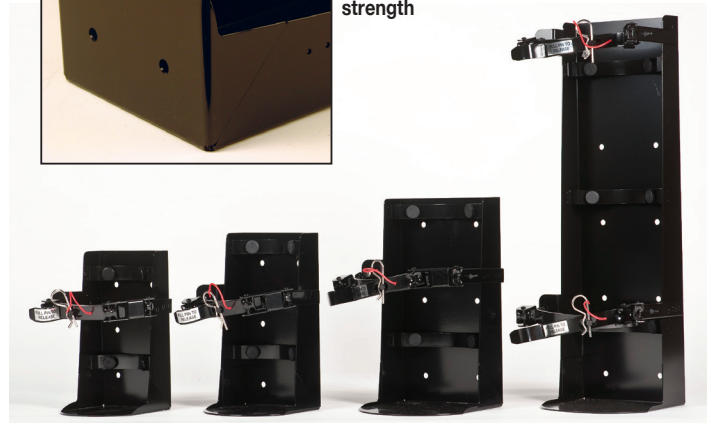
Project: _____
 Specification Reference: _____
 Model Number: _____ Quantity: _____
 Architect: _____
 Contractor: _____
 Distributor: _____
 Approved By: _____
 Date: _____



021 HDVB2



Seamless steel construction for heavy duty strength



020 HDVB1

021 HDVB2

022 HDVB3

032 HDVB4

✓	Model. #	Capacity	Accessories Description	Diameter	Coast Guard Approved/Ext. #**
				in/cm	
	020	5 lb	HDVB1 5lb. w/Pin & Safety Retainer	4" - 4 3/4" 10 cm	with ABC-5-ALV
	021	10 lb	HDVB2 10lb. w/Pin & Safety Retainer	5" - 6" 11 cm	with ABC-10
	022	20 lb	HDVB3 20lb. w/Pin & Safety Retainer	6 1/4" - 7 1/8" 13.5 cm	with ABC 20
	032	30 lb	HDVB4 30lb. w/Pin & Safety Retainer	6 1/4" - 7 1/8" 25 cm	with ABC 30

* See diameter measurement. **Approved w/Strike First extinguishers only