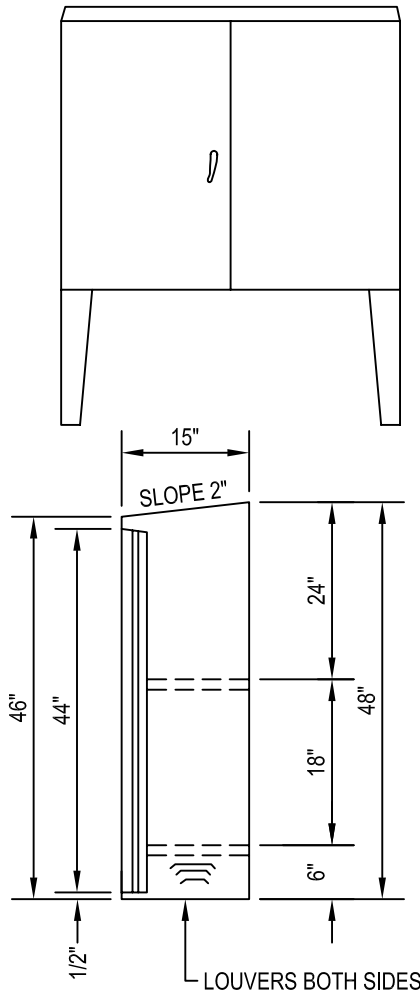
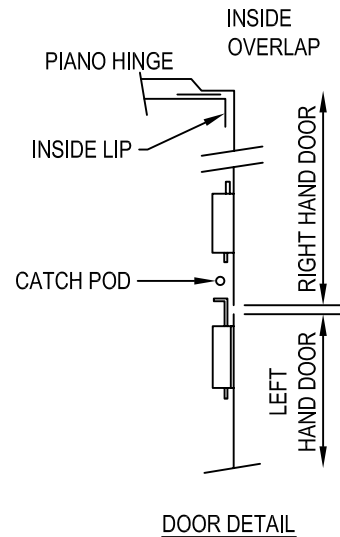
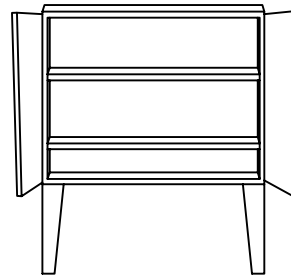


Strike First Corporation of America

STRIKE FIRST CORPORATION OF AMERICA
 1330 PROGRESS DRIVE
 FRONT ROYAL, VIRGINIA, 22630
 TOLL FREE: 1-800-255-5515
 PHONE: (540) 636-4444
 FAX: (540) 636-4455
 www.strikefirstusa.com



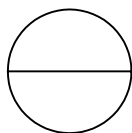
CM-1101



✓	MODEL NUMBER	DESCRIPTION	HEIGHT	SHIPPING WEIGHT LBS.
		OUTDOOR WEATHER PROOF HOSE STORAGE CABINET		
	CM1101	WEATHERPROOF HOSE & STORAGE CABINET - W/ 12" LEGS (STANDARD)	60"	250
	CM1101-24	WEATHERPROOF HOSE & STORAGE CABINET - W/ 24" LEGS	72"	255
	CM1101-36	WEATHERPROOF HOSE & STORAGE CABINET - W/ 36" LEGS	84"	265

NOTES:

1. INSTALLATION TO BE COMPLETED IN ACCORDANCE WITH MANUFACTURERS SPECIFICATIONS.
2. DO NOT SCALE DRAWINGS.
3. CONTRACTORS NOTE: FOR PRODUCT AND COMPANY INFORMATION VISIT www.CADdetails.com/info REFERENCE NUMBER 2736-030.



WEATHERPROOF HOSE STORAGE

CM1101-OUTDOOR WEATHERPROOF HOSE STORAGE