

Detail & Submittal Sheet

SONOMA Series (SN) cabinet fronts are 18 gauge cold rolled steel with 22 gauge cold rolled steel tubs, are fully recessed and have a concealed hinge. The Sonoma's aesthetically clean and trim appearance blends in with any decor. The cabinet design and appearance is superior for use in ultra modern interior designed commercial facilities. Standard with chrome D handle.

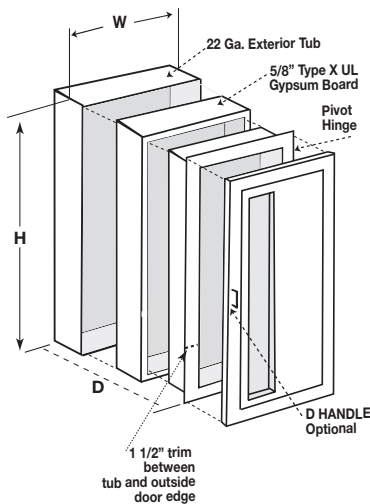
Project: _____
 Specification Reference: _____
 Model Number: _____ Quantity: _____
 Architect: _____
 Contractor: _____
 Distributor: _____
 Approved By: _____
 Date: _____

SPECIFICATION PROCESS: Follow the steps below to specify your cabinet. See detail legend on page 10. Options at additional cost.

- STEP 1: EXTINGUISHER SIZE:**
 5 - 5 lb. 1 - 10 lb. 2 - 20 lb.
- STEP 2: CABINET STYLE:**
 2 - Fully-Recessed (FR)
- STEP 3: DOOR STYLE:**
 6 - Full Glass (FG)
 7 - Full Metal (FM)
 8 - Vertical Duo (VD)
- STEP 4: SERIES:**
 SN - Sonoma Cabinet
- STEP 5: CABINET TYPE:**
SG - SAFEGUARD - Fire Rated
- STEP 6: FINISH OPTIONS:**
 SSF - Stainless Steel Front
 FSS - Full Stainless Steel
 FW - Full White
- STEP 7: HANDLE OPTIONS:**
 013 - Sonoma Stainless Steel Flush Handle
 011 - Chrome D Handle
- STEP 8: GLAZING:**
 G11 - Clear Acrylic (Standard)
 G12 - Clear Tempered Glass
- STEP 9: LETTERING:**
 004 - Decal "Fire Ext." Lrg Vert R/B

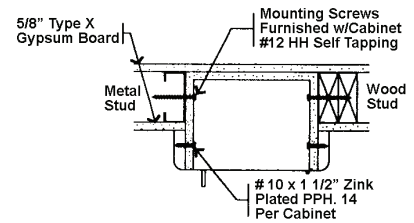


Safeguard fire rated assembly

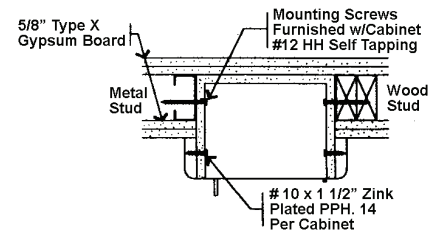


SAFEGUARD Sonoma Series VC-SN Valve Cabinet Knockout Drilling: No knockouts are provided with Sonoma Safeguard Valve Cabinets. Find the exact location of the pipe(s) which enter the cabinet and mark the cabinet tub appropriately. Both outside and inside tubs and insulation material must be completely open to receive pipe(s).

SAFEGUARD Typical Semi-Recessed Fire Rated Installation ONE HOUR FIRE WALL SYSTEM



TWO HOUR FIRE WALL SYSTEM



WARNOCK HERSEY LISTED UL Classified 5/8" Type X gypsum board inserted in the cavity between the two layers. Warnock Hersey has approved the Safeguard Cabinets to be mounted in any face of fire rated steel or wood stud for up to 2 hour rated walls without affecting its fire rating. The above meets the requirement test ASTM-E119-98 with test report WHI-495-1534. MOUNTING INSTRUCTIONS are supplied with each safeguard cabinet.

✓	Mod. #	Turnback	Interior Tub Size			Overall Outside Trim		Rough Opening			SAFEGUARD Rough Opening			Accom. Ext Size
			W	H	D	W	H	W	H	D	W	H	D	Lbs.
Fully-Recessed														
	506-SN	trimless	8"	17"	5"	11 3/4"	20 3/4"	8 3/8"	17 1/4"	5 1/4"	10"	19"	6"	5
	507-SN	trimless	8"	17"	5"	11 3/4"	20 3/4"	8 3/8"	17 1/4"	5 1/4"	10"	19"	6"	5
	508-SN	trimless	8"	17"	5"	11 3/4"	20 3/4"	8 3/8"	17 1/4"	5 1/4"	10"	19"	6"	5
	126-SN	trimless	9 1/2"	24"	6"	13 1/4"	27 3/4"	10"	24 1/4"	6 1/2"	11 1/2"	26"	6 3/4"	10
	127-SN	trimless	9 1/2"	24"	6"	13 1/4"	27 3/4"	10"	24 1/4"	6 1/4"	11 1/2"	26"	6 3/4"	10
	128-SN	trimless	9 1/2"	24"	6"	13 1/4"	27 3/4"	10"	24 1/4"	6 1/4"	11 1/2"	26"	6 3/4"	10
	226-SN	trimless	12"	27"	8"	15 3/4"	30 3/4"	12 1/2"	27 1/2"	9"	14 1/2"	29"	9"	20
	227-SN	trimless	12"	27"	8"	15 3/4"	30 3/4"	12 1/2"	27 1/2"	9"	14 1/2"	29"	9"	20
	228-SN	trimless	12"	27"	8"	15 3/4"	30 3/4"	12 1/2"	27 1/2"	9"	14 1/2"	29"	9"	20

Revised 7-2016

