

**Detail & Submittal Sheet**

**SONOMA Series (SN)** cabinet fronts are 18 gauge cold rolled steel with 22 gauge cold rolled steel tubs, are fully recessed and have a concealed hinge. The Sonoma's aesthetically clean trim appearance blends well with any decor. The cabinet design and appearance is superior for use in ultra modern interior designed commercial facilities.

Standard full white with Sonoma stainless steel flush handle.

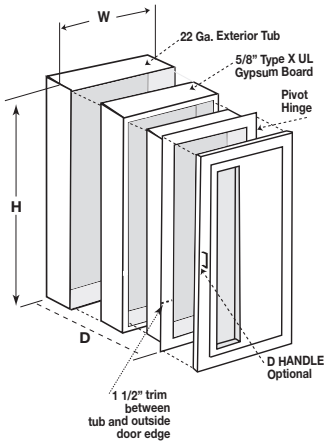
Project: \_\_\_\_\_  
 Specification Reference: \_\_\_\_\_  
 Model Number: \_\_\_\_\_ Quantity: \_\_\_\_\_  
 Architect: \_\_\_\_\_  
 Contractor: \_\_\_\_\_  
 Distributor: \_\_\_\_\_  
 Approved By: \_\_\_\_\_  
 Date: \_\_\_\_\_

**SPECIFICATION PROCESS:** Follow the steps below to specify your cabinet. See detail legend on page 10. Options at additional cost.

- STEP 1: EXTINGUISHER SIZE:**  
 5 - 5 lb. 1 - 10 lb. 2 - 20 lb.
- STEP 2: CABINET STYLE:**  
 2 - Fully-Recessed (FR)
- STEP 3: DOOR STYLE:**  
 6 - Full Glass (FG)  
 7 - Full Metal (FM)  
 8 - Vertical Duo (VD)
- STEP 4: SERIES:**  
 SN - Sonoma Cabinet
- STEP 5: CABINET TYPE:**  
 Non-rated  
**SG - SAFEGUARD - Fire Rated**
- STEP 6: FINISH OPTIONS:**  
 **SSF** - Stainless Steel Front, #4 finish:  
 304 (standard) or 316\*\* (optional)
- FSS** - Full Stainless Steel, #4 finish:  
 304 (standard) or 316\*\* (optional)
- STEP 7: HANDLE OPTIONS:**  
 **011** - Chrome D Handle  
 - Flush Handle (Standard)
- STEP 8: GLAZING:**  
 **G11** - Clear Acrylic (Standard)  
 **G12** - Clear Tempered Glass
- STEP 9: LETTERING:**  
 **004** - Decal "Fire Ext." Lrg Vert R/B



**Safeguard fire rated assembly**



128-SN-SSF

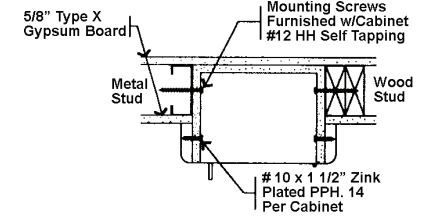


127-SN-SSF (stainless steel)  
 004-R Decal (sold separately)

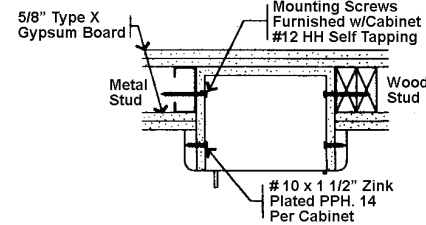
Chrome D Handle Option

526-SN (full white standard)

**SAFEGUARD Typical Semi-Recessed Fire Rated Installation ONE HOUR FIRE WALL SYSTEM**



**TWO HOUR FIRE WALL SYSTEM**



UL Classified 5/8" Type X gypsum board inserted in the cavity between the two layers. Warnock Hersey has approved the Safeguard Cabinets to be mounted in any face of fire rated steel or wood stud for up to 2 hour rated walls without affecting its fire rating. The above meets the requirement test ASTM-E119-98 with test report WHI-495-1534. MOUNTING INSTRUCTIONS are supplied with each safeguard cabinet.

\*\* 316 SS contains 2%-3% molybdenum, added to improve corrosion resistance to chlorides (like sea water).  
 304 SS has no molybdenum

✓	Mod. #	Turnback	Interior Tub Size			Overall Outside Trim		Rough Opening			♿	SAFEGUARD Rough Opening			Accom. Ext Size	♿
			W	H	D	W	H	W	H	D		W	H	D		
<b>Fully-Recessed</b>																
	526-SN	trimless	8"	17"	5"	11 3/4"	20 3/4"	8 3/8"	17 1/4"	5 1/4"	✓	10"	19"	6"	5	✓
	527-SN	trimless	8"	17"	5"	11 3/4"	20 3/4"	8 3/8"	17 1/4"	5 1/4"	✓	10"	19"	6"	5	✓
	528-SN	trimless	8"	17"	5"	11 3/4"	20 3/4"	8 3/8"	17 1/4"	5 1/4"	✓	10"	19"	6"	5	✓
	126-SN	trimless	9 1/2"	24"	6"	13 1/4"	27 3/4"	10"	24 1/4"	6 1/2"	✓	11 1/2"	26"	6 3/4"	10	✓
	127-SN	trimless	9 1/2"	24"	6"	13 1/4"	27 3/4"	10"	24 1/4"	6 1/4"	✓	11 1/2"	26"	6 3/4"	10	✓
	128-SN	trimless	9 1/2"	24"	6"	13 1/4"	27 3/4"	10"	24 1/4"	6 1/4"	✓	11 1/2"	26"	6 3/4"	10	✓
	226-SN	trimless	12"	27"	8"	15 3/4"	30 3/4"	12 1/2"	27 1/2"	9"	✓	14 1/2"	29"	9"	20	✓
	227-SN	trimless	12"	27"	8"	15 3/4"	30 3/4"	12 1/2"	27 1/2"	9"	✓	14 1/2"	29"	9"	20	✓
	228-SN	trimless	12"	27"	8"	15 3/4"	30 3/4"	12 1/2"	27 1/2"	9"	✓	14 1/2"	29"	9"	20	✓

✓ADA Compliant

Revised 7-2017

view our profile on **American Made** **Family Owned & Operated Since 1990** **See us on** **Like us on**