

**Construction Specifications:**

CLASSIC Premium Series cabinets are 20 gauge cold rolled steel.

**Standard with:**

- Cylinder lock, all items are keyed alike
- Baked white enamel finish
- Acrylic glass
- Breaker bar and chain
- Break glass decal

100-SR



Lock and breaker bar included



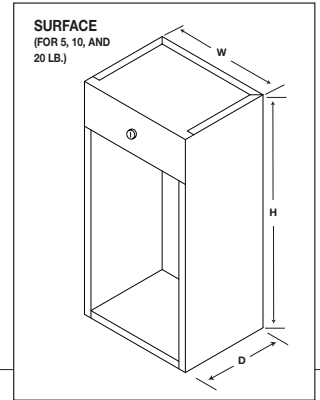
999

Replacement Acrylic, scored or unscored (decal sold separately)

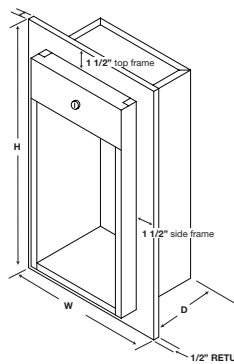
Project: \_\_\_\_\_  
 Specification Reference: \_\_\_\_\_  
 Model Number: \_\_\_\_\_ Quantity: \_\_\_\_\_  
 Architect: \_\_\_\_\_  
 Contractor: \_\_\_\_\_  
 Distributor: \_\_\_\_\_  
 Approved By: \_\_\_\_\_  
 Date: \_\_\_\_\_

**RELATED PRODUCT**

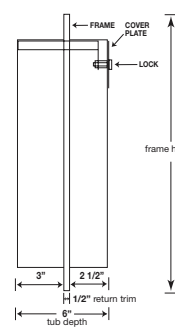
**PC-Plastic Extinguisher Cabinets**



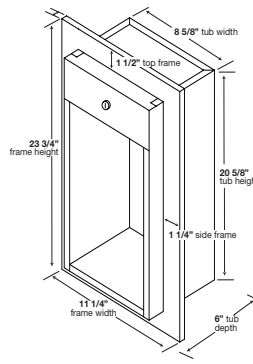
**SEMI-RECESSED 999-SR (10 LB) ROUGH OPENING DIMENSIONS**



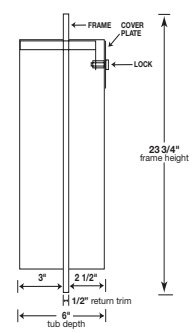
**SIDE VIEW**



**SEMI-RECESSED 100-SF (5 LB.) OUTSIDE DIMENSIONS**



**SIDE VIEW 5 LB**



✓	Mod. #	Turnback	Interior Tub Size			Overall Outside Trim		Rough Opening			Accom. Ext Size
			W	H	D	W	H	W	H	D	Lbs.
<b>Surface Mounted</b>											
	100	-	8 3/4"	20"	5 3/4"	-	-	-	-	-	5
	999	-	10 1/2"	24"	6"	-	-	-	-	-	10
	104	-	13 3/4"	29 3/4"	8 3/4"	-	-	-	-	-	20
<b>Semi-Recessed</b>											
	100-SR	-	8 3/4"	20"	5 3/4"	11 3/4"	23 1/8"	9 1/4"	20 3/4"	3 1/2"	5
	999-SR	-	10 1/2"	24"	6"	13 3/4"	27 1/2"	10 3/4"	24 1/2"	3 1/2"	10
<b>Replacement Acrylic</b>											
<b>Acrylic Size</b>											
	Acrylic 100	-	8 3/4"	18"	Scored/unscored replacement acrylic						
	Acrylic 999	-	10 1/2"	21 3/4"	Scored/unscored replacement acrylic						
	Acrylic 104	-	14"	27 1/2"	Scored/unscored replacement acrylic						

Revised 7-2017



**American Made**



**Family Owned & Operated**



Since 1990  
Selling only through distribution

**See us on**



**Like us on**

