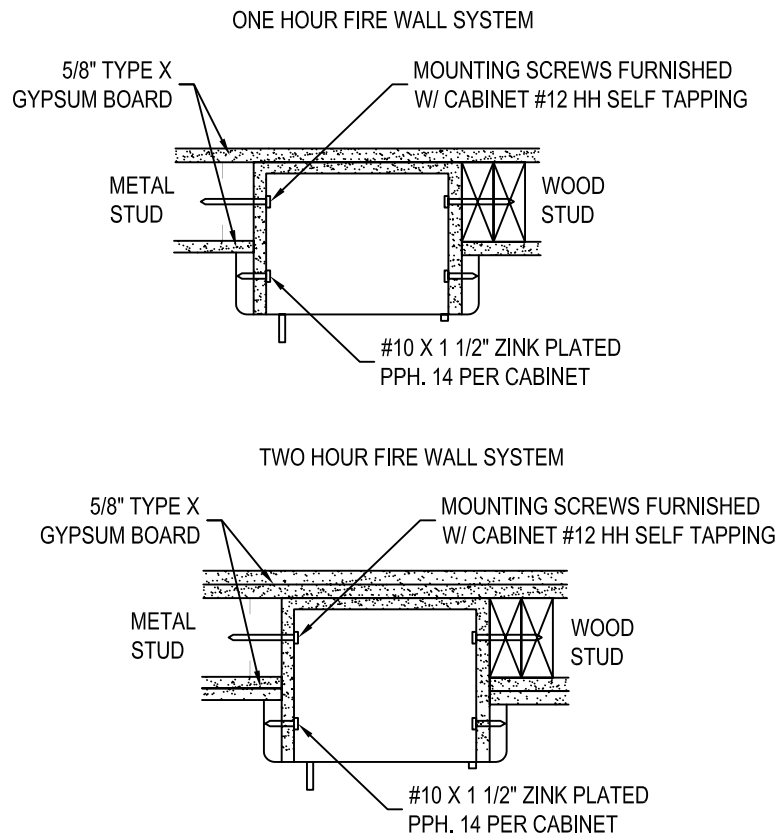


Strike First Corporation of America

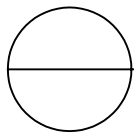
STRIKE FIRST CORPORATION OF AMERICA
1330 PROGRESS DRIVE
FRONT ROYAL, VIRGINIA, 22630
TOLL FREE: 1-800-255-5515
PHONE: (540) 636-4444
FAX: (540) 636-4455
www.strikefirstusa.com

SAFEGUARD TYPICAL SEMI-RECESSED FIRE RATED INSTALLATION



NOTES:

1. INSTALLATION TO BE COMPLETED IN ACCORDANCE WITH MANUFACTURERS SPECIFICATIONS.
2. DO NOT SCALE DRAWINGS.
3. CONTRACTORS NOTE: FOR PRODUCT AND COMPANY INFORMATION VISIT www.CADdetails.com/info REFERENCE NUMBER 2736-027A.



TITAN SERIES ALUMINUM EXTINGUISHER CABINETS

TN-TITAN SERIES ALUMINUM EXTINGUISHER CABINETS, INSTALLATION OPTIONS