

# Strike First Corporation of America

STRIKE FIRST CORPORATION OF AMERICA  
 1330 PROGRESS DRIVE  
 FRONT ROYAL, VIRGINIA, 22630  
 TOLL FREE: 1-800-255-5515  
 PHONE: (540) 636-4444  
 FAX: (540) 636-4455  
 www.strikefirstusa.com

**STEP 1:**

- SELECT EXTINGUISHER SIZE:
- 10 LBS

**STEP 2:**

- SELECT CABINET STYLE:
- SURFACE MOUNTED
- SEMI-RECESSED
- FULLY RECESSED

**STEP 3:**

- SELECT DOOR STYLE:
- FULL GLASS
- FULL METAL
- VERTICAL DUO

**STEP 4:**

- SELECT DESIRED SERIES:
- ALUMINUM CABINET

**STEP 5:**

- SELECT CABINET TYPE:
- SAFEGUARD FIRE RATED

**STEP 6:**

- SELECT FINISH OPTIONS:
- ALUMINUM FRONT (W/ STEEL TUBE)
- FULL ALUMINUM (FRONT AND TUB)

**STEP 7:**

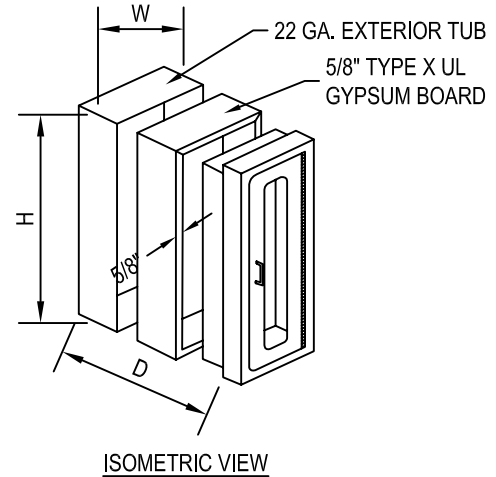
- SELECT HANDLE OPTIONS:
- SAFETY BREAK LOCK
- ALUM. DIE CAST RED FIRE HANDLE
- ADA HANDLE

**STEP 8:**

- SELECT GLAZING OPTIONS:
- DOUBLE STRENGTH GLASS
- CLEAR ACRYLIC (STANDARD)
- CLEAR TEMPERED GLASS
- SINGLE STRENGTH GLASS

**STEP 9:**

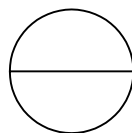
- SELECT LETTERING OPTIONS:
- DECAL "PULL FIRMLY"
- DECAL "FIRE EXT." LRG VERT
- DECAL "FIRE EXT." SM HORIZ
- DECAL "FIRE EXT." LRG HORIZ



✓	MOD. #	INTERIOR TUB SIZE			OVERALL OUTSIDE TRIM		FAL (ALUMINUM FRONT AND TUB) ROUGH OPEN			FAL TRIM STYLE	SAFEGUARD - AL (ALUMINUM FRONT AND STEEL TUB) ROUGH OPENING	SAFEGUARD - AL (ALUMINUM FRONT AND STEEL TUB) TRIM STYLE	ACCOM. EXT SIZE		
		W	H	D	W	H	W	H	D		W	H	D	LBS.	
SURFACE MOUNTED															
	106-TN	9 1/2"	23 3/4"	6"	10"	24 1/2"	-	-	-	-	-	-	-	10	
	107-TN	9 1/2"	23 3/4"	6"	10"	24 1/2"	-	-	-	-	-	-	-	10	
	108-TN	9 1/2"	23 3/4"	6"	10"	24 1/2"	-	-	-	-	-	-	-	10	
SEMI-RECESSED															
	116-TN	9 1/2"	24"	6"	13 1/2"	28 1/2"	9 3/4"	24 1/4"	3 1/2"	2 1/2"	11 1/4"	25 3/4"	3 3/4"	3"	10
	117-TN	9 1/2"	24"	6"	13 1/2"	28 1/2"	9 3/4"	24 1/4"	3 1/2"	2 1/2"	11 1/4"	25 3/4"	3 3/4"	3"	10
	118-TN	9 1/2"	24"	6"	13 1/2"	28 1/2"	9 3/4"	24 1/4"	3 1/2"	2 1/2"	11 1/4"	25 3/4"	3 3/4"	3"	10
FULLY-RECESSED															
	126-TN	9 1/2"	24"	6"	14"	28 1/2"	9 3/4"	24 1/4"	5 3/4"	1/4"	11 1/4"	25 3/4"	6 1/2"	1/4"	10
	127-TN	9 1/2"	24"	6"	14"	28 1/2"	9 3/4"	24 1/4"	5 3/4"	1/4"	11 1/4"	25 3/4"	6 1/2"	1/4"	10
	128-TN	9 1/2"	24"	6"	14"	28 1/2"	9 3/4"	24 1/4"	5 3/4"	1/4"	11 1/4"	25 3/4"	6 1/2"	1/4"	10

**NOTES:**

1. INSTALLATION TO BE COMPLETED IN ACCORDANCE WITH MANUFACTURERS SPECIFICATIONS.
2. DO NOT SCALE DRAWINGS.
3. CONTRACTORS NOTE: FOR PRODUCT AND COMPANY INFORMATION VISIT [www.CADdetails.com/info](http://www.CADdetails.com/info) REFERENCE NUMBER 2736-027.



## TITAN SERIES ALUMINUM EXTINGUISHER CABINETS

TN-TITAN SERIES ALUMINUM EXTINGUISHER CABINETS