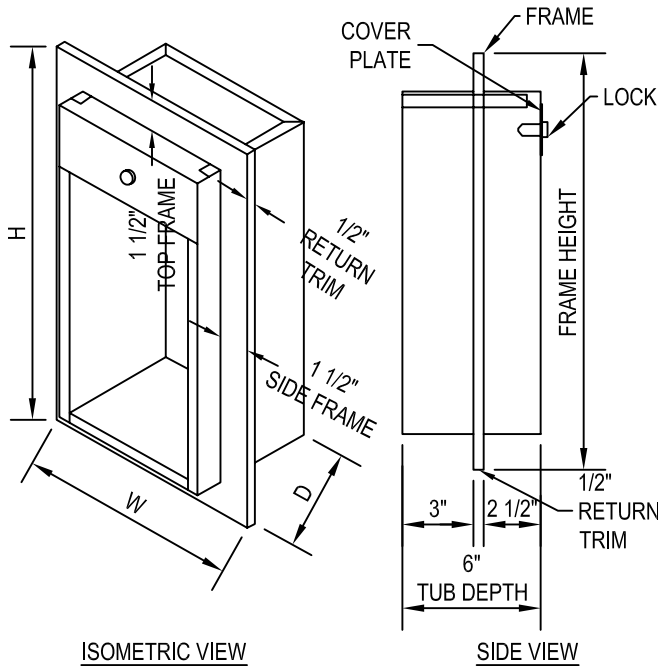


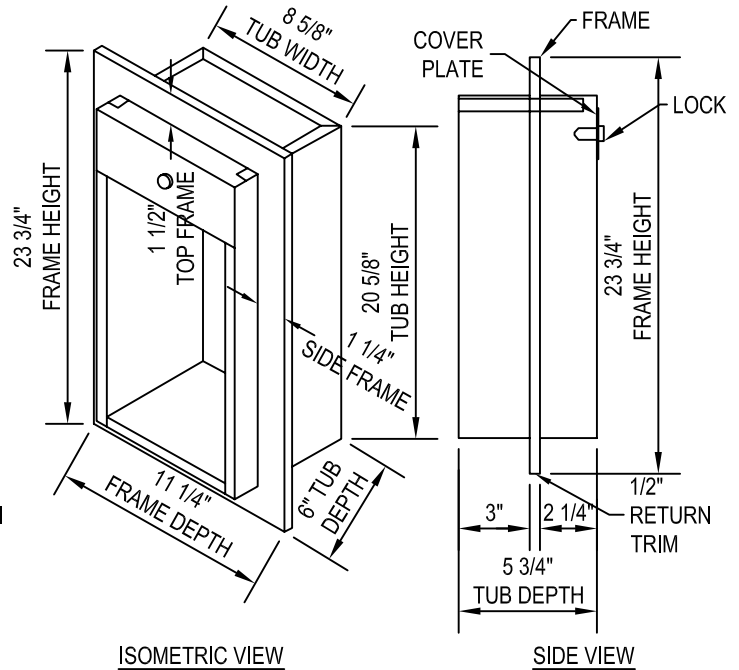
Strike First Corporation of America

STRIKE FIRST CORPORATION OF AMERICA
 1330 PROGRESS DRIVE
 FRONT ROYAL, VIRGINIA, 22630
 TOLL FREE: 1-800-255-5515
 PHONE: (540) 636-4444
 FAX: (540) 636-4455
 www.strikefirstusa.com

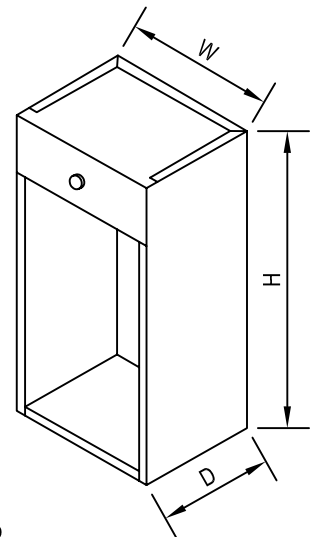
SEMI-RECESSED
 999-SR (10 LB) ROUGH OPENING DIMENSIONS



SEMI-RECESSED
 100-SR (5 LB) OUTSIDE DIMENSIONS



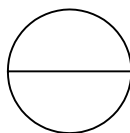
SURFACE
 (FOR 5, 10, AND 20 LB.)



✓	MOD. #	TRIM STYLE	INTERIOR TUB SIZE			OVERALL OUTSIDE TRIM		ROUGH OPENING			ACCOM. EXT SIZE LBS.
			W	H	D	W	H	W	H	D	
SURFACE MOUNTED											
	100	-	8 3/4"	20"	5 3/4"	-	-	-	-	-	5
	999	-	10 1/2"	24"	6"	-	-	-	-	-	10
	104	-	13 3/4"	29 3/4"	8 3/4"	-	-	-	-	-	20
SEMI-RECESSED											
	100-SR	-	8 3/4"	20"	5 3/4"	11 3/4"	23 1/8"	9 1/4"	20 3/4"	3 1/2"	5
	999-SR	-	10 1/2"	24"	6"	13 3/4"	27 1/2"	10 3/4"	24 1/4"	3 1/2"	10

NOTES:

1. INSTALLATION TO BE COMPLETED IN ACCORDANCE WITH MANUFACTURERS SPECIFICATIONS.
2. DO NOT SCALE DRAWINGS.
3. CONTRACTORS NOTE: FOR PRODUCT AND COMPANY INFORMATION VISIT www.CADdetails.com/info REFERENCE NUMBER 2736-026.



CLASSIC SERIES CABINETS

CLASSIC SERIES CABINETS