

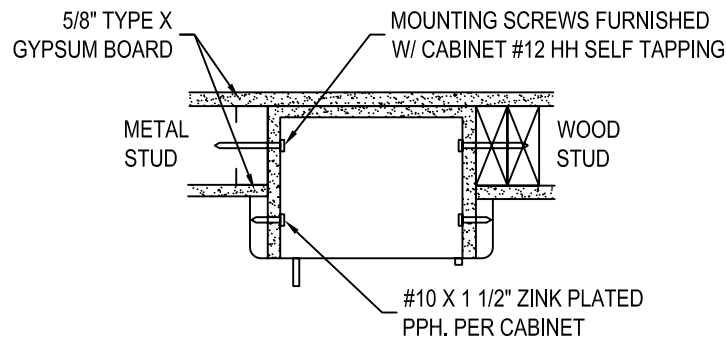
Strike First Corporation of America

STRIKE FIRST CORPORATION OF AMERICA
1330 PROGRESS DRIVE
FRONT ROYAL, VIRGINIA, 22630
TOLL FREE: 1-800-255-5515
PHONE: (540) 636-4444
FAX: (540) 636-4455
www.strikefirstusa.com

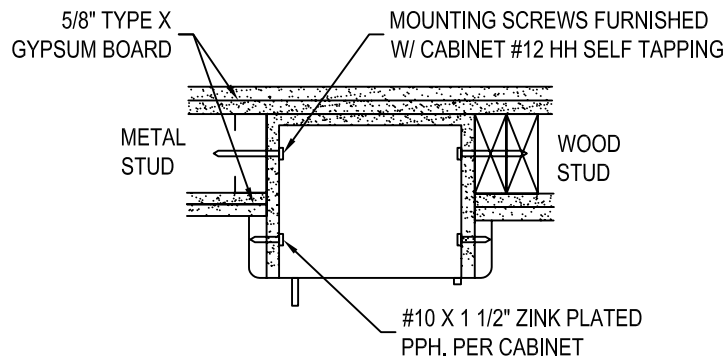
SAFEGUARD

TYPICAL SEMI-RECESSED FIRE RATED INSTALLATION

ONE HOUR FIRE WALL SYSTEM

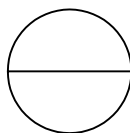


TWO HOUR FIRE WALL SYSTEM



NOTES:

1. INSTALLATION TO BE COMPLETED IN ACCORDANCE WITH MANUFACTURERS SPECIFICATIONS.
2. DO NOT SCALE DRAWINGS.
3. CONTRACTORS NOTE: FOR PRODUCT AND COMPANY INFORMATION VISIT www.CADdetails.com/info REFERENCE NUMBER 2736-025A.



BUBBLE CANOPY SERIES CABINETS

BC-BUBBLE CANOPY SERIES CABINETS, INSTALLATION OPTIONS