

Strike First Corporation of America

STRIKE FIRST CORPORATION OF AMERICA
 1330 PROGRESS DRIVE
 FRONT ROYAL, VIRGINIA, 22630
 TOLL FREE: 1-800-255-5515
 PHONE: (540) 636-4444
 FAX: (540) 636-4455
 www.strikefirstusa.com

STEP 1:

- SELECT EXTINGUISHER SIZE:
 10 LBS
 20 LBS

STEP 2:

- SELECT CABINET STYLE:
 SURFACE MOUNTED
 SEMI-RECESSED
 FULLY RECESSED

STEP 3:

- SELECT DOOR STYLE:
 BUBBLE ONLY

STEP 4:

- SELECT DESIRED SERIES:
 BUBBLE CABINET

STEP 5:

- SELECT CABINET TYPE:
 SAFEGUARD FIRE RATED

STEP 6:

- SELECT FINISH OPTIONS:
 STAINLESS STEEL FRONT
 FULL STAINLESS STEEL
 ALUMINUM FRONT
 FULL ALUMINUM
 RED COATED

STEP 7:

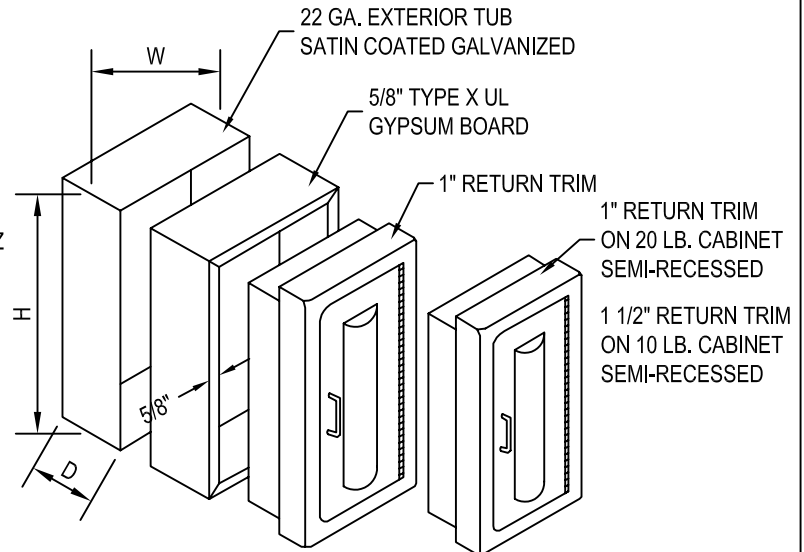
- SELECT HANDLE OPTIONS:
 SAFETY BREAK LOCK
 ALUM. DIE CAST RED FIRE HANDLE
 ADA HANDLE

STEP 8:

- SELECT GLAZING OPTIONS:
 BUBBLE ONLY

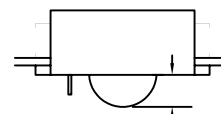
STEP 9:

- SELECT LETTERING OPTIONS:
 DECAL "FIRE EXT" LRG VERT
 DECAL "FIRE EXT." LRG HORIZ



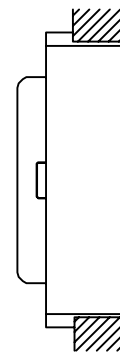
ISOMETRIC VIEW

TOP VIEW
SEMI-RECESSED



1 3/4" EXTENSION
FOR 10 LB.
2 3/4" EXTENSION
FOR 20LB.

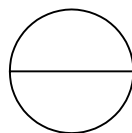
SIDE VIEW
SEMI-RECESSED



✓	MOD. #	INTERIOR TUB SIZE			OVERALL OUTSIDE TRIM		ROUGH OPENING			SAFEGUARD TRIM STYLE	SAFEGUARD ROUGH OPENING			SAFEGUARD TRIM STYLE	ACCOM. EXT SIZE LBS.
		W	H	D	W	H	W	H	D		W	H	D		
		SURFACE MOUNTED													
	10-BC	10 1/2"	24"	4 1/2"	11"	24 1/2"	-	-	-	-	-	-	-	-	10
		SEMI-RECESSED													
	11-BC	10 1/2"	24"	4 1/2"	14 1/2"	28"	10 3/4"	24 1/4"	3"	1 1/2"	12 1/4"	25 3/4"	3 3/4"	1 1/2"	10
	21-BC	14"	30"	4 3/4"	18 1/2"	34"	14 3/4"	30 1/4"	4 1/4"	1"	16 1/4"	31 3/4"	5"	1"	20
		FULLY-RECESSED													
	12-BC	10 1/2"	24"	4 1/2"	14 1/2"	28"	10 3/4"	24 1/4"	4 1/2"	1/4"	12 1/4"	25 3/4"	5 1/4"	1/4"	10

NOTES:

1. INSTALLATION TO BE COMPLETED IN ACCORDANCE WITH MANUFACTURERS SPECIFICATIONS.
2. DO NOT SCALE DRAWINGS.
3. CONTRACTORS NOTE: FOR PRODUCT AND COMPANY INFORMATION VISIT www.CADdetails.com/info REFERENCE NUMBER 2736-025.



BUBBLE CANOPY SERIES CABINETS

BC-BUBBLE CANOPY SERIES CABINETS