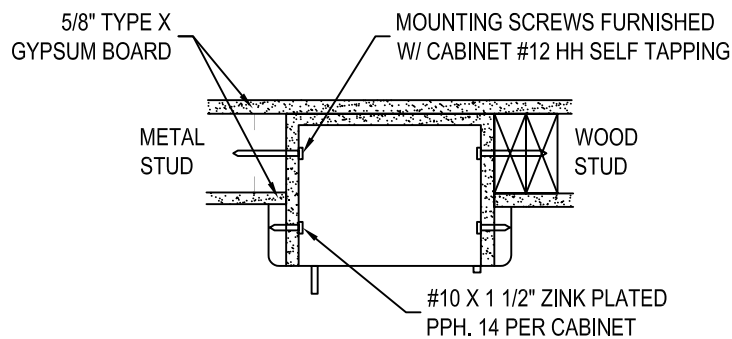


# Strike First Corporation of America

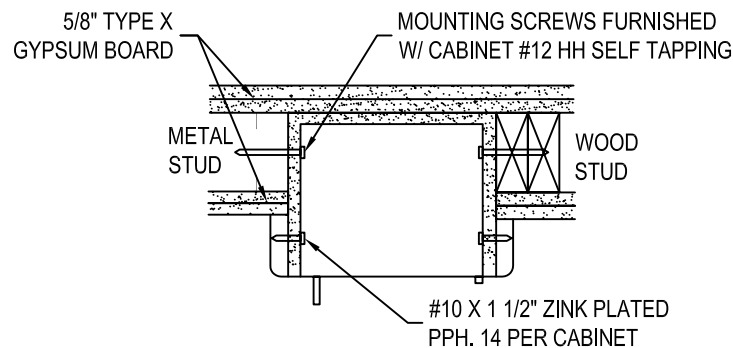
STRIKE FIRST CORPORATION OF AMERICA  
1330 PROGRESS DRIVE  
FRONT ROYAL, VIRGINIA, 22630  
TOLL FREE: 1-800-255-5515  
PHONE: (540) 636-4444  
FAX: (540) 636-4455  
www.strikefirstusa.com

## SAFEGUARD FIRE RATED INSTALLATION

### ONE HOUR FIRE WALL SYSTEM

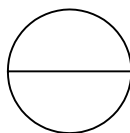


### TWO HOUR FIRE WALL SYSTEM



#### NOTES:

1. INSTALLATION TO BE COMPLETED IN ACCORDANCE WITH MANUFACTURERS SPECIFICATIONS.
2. DO NOT SCALE DRAWINGS.
3. CONTRACTORS NOTE: FOR PRODUCT AND COMPANY INFORMATION VISIT [www.CADdetails.com/info](http://www.CADdetails.com/info) REFERENCE NUMBER 2736-024A.



## VALVE CABINETS

VC-VALVE SERIES CABINETS, INSTALLATION OPTIONS