

Strike First Corporation of America

STRIKE FIRST CORPORATION OF AMERICA
 1330 PROGRESS DRIVE
 FRONT ROYAL, VIRGINIA, 22630
 TOLL FREE: 1-800-255-5515
 PHONE: (540) 636-4444
 FAX: (540) 636-4455
 www.strikefirstusa.com

STEP 1:

SELECT CABINET STYLE:

FULLY RECESSED

STEP 2:

SELECT DOOR STYLE:

FULL GLASS

FULL METAL

STEP 3:

SELECT CABINET SERIES:

VALVE CABINET

STEP 4:

SELECT CABINET TYPE STYLE:

SAFEGUARD FIRE RATED

STEP 5:

SELECT FINISH OPTIONS:

STAINLESS STEEL FRONT

FULL STAINLESS STEEL

RED COATED

STEP 6:

SELECT HANDLE OPTIONS:

SAFETY BREAK LOCK

STEP 7:

SELECT GLAZING OPTIONS:

DOUBLE STRENGTH GLASS

CLEAR ACRYLIC (STANDARD)

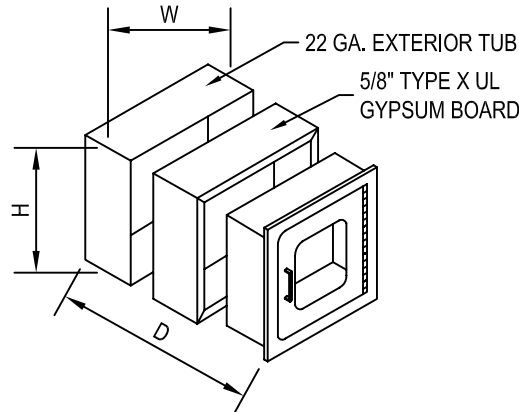
CLEAR TEMPERED GLASS

SINGLE STRENGTH GLASS

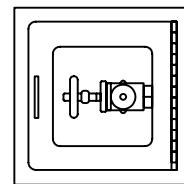
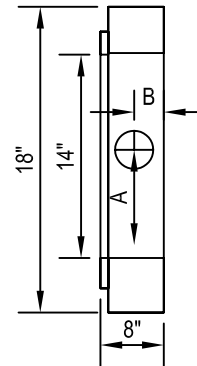
STEP 8:

SELECT LETTERING OPTIONS:

DECAL "FIRE DEPARTMENT VALVE"



VALVE CABINET
 SIDE VIEW
 1/4" RETURN



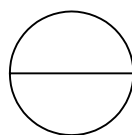
FULL GLASS

✓	MOD. #	INTERIOR TUB SIZE			OVERALL OUTSIDE TRIM		ROUGH OPENING			TRIM STYLE	UL LISTED	SAFEGUARD ROUGH OPENING			SAFEGUARD TRIM STYLE	KNOCKOUT LOCATIONS		ACCOM. EXT. SIZE
		W	H	D	W	H	W	H	D			W	H	D		A	B	
		VALVE CABINET FULLY-RECESSED																
	26-VC	18"	18"	8"	22"	22"	18 1/4"	18 1/4"	7 3/4"	1/4"	19 5/16"	19 5/16"	8 1/2"	1/2"	9"	4"	1 1/2" - 2 1/2"	
	27-VC	18"	18"	8"	22"	22"	18 1/4"	18 1/4"	7 3/4"	1/4"	19 5/16"	19 5/16"	8 1/2"	1/2"	9"	4"	1 1/2" - 2 1/2"	

* SURFACE MOUNTED (S) IS AVAILABLE UPON REQUEST

NOTES:

1. INSTALLATION TO BE COMPLETED IN ACCORDANCE WITH MANUFACTURERS SPECIFICATIONS.
2. DO NOT SCALE DRAWINGS.
3. CONTRACTORS NOTE: FOR PRODUCT AND COMPANY INFORMATION VISIT www.CADdetails.com/info REFERENCE NUMBER 2736-024.



VALVE CABINETS

VC-VALVE SERIES CABINETS