

Strike First Corporation of America

STRIKE FIRST CORPORATION OF AMERICA
 1330 PROGRESS DRIVE
 FRONT ROYAL, VIRGINIA, 22630
 TOLL FREE: 1-800-255-5515
 PHONE: (540) 636-4444
 FAX: (540) 636-4455
 www.strikefirstusa.com

STEP 1:
 SELECT EXTINGUISHER SIZE:

- 10 LBS
- 20 LBS

STEP 2:

SELECT CABINET STYLE:

- FULLY RECESSED

STEP 3:

SELECT DOOR STYLE:

- FULL METAL
- VERTICAL DUO

STEP 4:

SELECT DESIRED SERIES:

- SONOMA CABINET
- VALVE CABINET

STEP 5:

SELECT CABINET TYPE:

- SAFEGUARD FIRE RATED

STEP 6:

SELECT FINISH OPTIONS:

- STAINLESS STEEL FRONT
- FULL STAINLESS STEEL
- BLACK TUB

STEP 7:

SELECT HANDLE OPTIONS:

- SONOMA STAINLESS STEEL FLUSH HANDLE (STANDARD)

STEP 8:

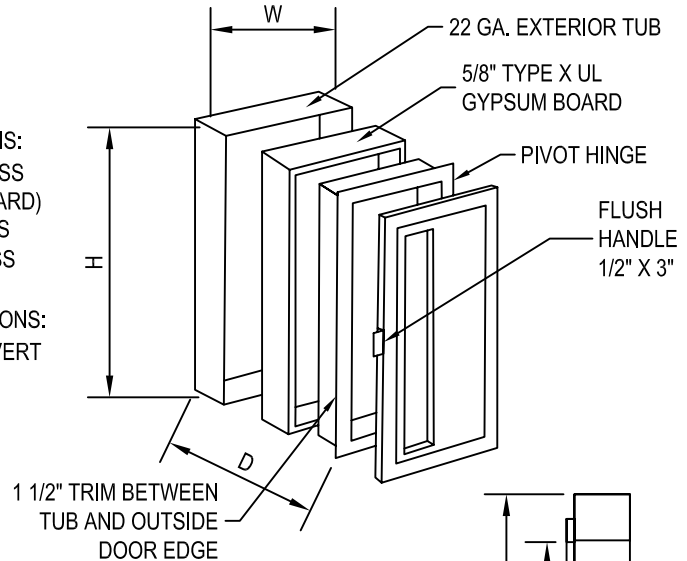
SELECT GLAZING OPTIONS:

- DOUBLE STRENGTH GLASS
- CLEAR ACRYLIC (STANDARD)
- CLEAR TEMPERED GLASS
- SINGLE STRENGTH GLASS

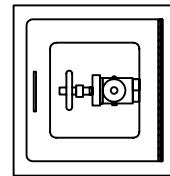
STEP 9:

SELECT LETTERING OPTIONS:

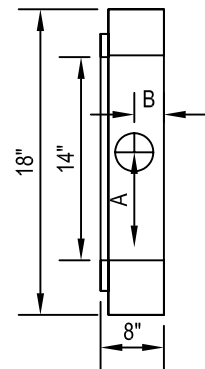
- DECAL "FIRE EXT." LRG VERT



ISOMETRIC VIEW



FULL GLASS

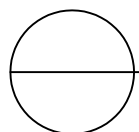


VALVE CABINET
 SIDE VIEW
 1/4" RETURN

✓	MOD. #	TRIM STYLE	INTERIOR TUB SIZE			OVERALL OUTSIDE TRIM		ROUGH OPENING			LEI® SAFEGUARD ROUGH OPENING	KNOCKOUT LOCATGIN	ACCOM. EXT SIZE			
			W	H	D	W	H	W	H	D				W	H	D
FULLY-RECESSED																
	127-SN	TRIMLESS	9 1/2"	24"	6"	13 1/4"	27 3/4"	9 3/4"	24 1/4"	5 3/4"	11 1/2"	26"	6 3/4"	-	10	
	128-SN	TRIMLESS	9 1/2"	24"	6"	13 1/4"	27 3/4"	9 3/4"	24 1/4"	5 3/4"	11 1/2"	26"	6 3/4"	-	10	
	227-SN	TRIMLESS	12"	27"	8"	15 3/4"	30 3/4"	12 1/4"	27 1/4"	7 3/4"	13 1/2"	28 3/4"	8 3/4"	-	20	
	228-SN	TRIMLESS	12"	27"	8"	15 3/4"	30 3/4"	12 1/4"	27 1/4"	7 3/4"	13 1/2"	28 3/4"	8 3/4"	-	20	
VALVE CABINET																
	VC-SN	TRIMLESS	18"	18"	8"	20 3/4"	20 3/4"	19 1/4"	18 1/4"	8"	20"	20"	9"	9"	4"	2 1/2"

NOTES:

1. INSTALLATION TO BE COMPLETED IN ACCORDANCE WITH MANUFACTURERS SPECIFICATIONS.
2. DO NOT SCALE DRAWINGS.
3. CONTRACTORS NOTE: FOR PRODUCT AND COMPANY INFORMATION VISIT www.CADdetails.com/info REFERENCE NUMBER 2736-023.



SONOMA SERIES CABINETS

SN-SONOMA SERIES EXTINGUISHER AND VALVE CABINETS