

Strike First Corporation of America

STRIKE FIRST CORPORATION OF AMERICA
 1330 PROGRESS DRIVE
 FRONT ROYAL, VIRGINIA, 22630
 TOLL FREE: 1-800-255-5515
 PHONE: (540) 636-4444
 FAX: (540) 636-4455
 www.strikefirstusa.com

STEP 1:

- SELECT EXTINGUISHER SIZE:
 5 LBS
 10 LBS
 20 LBS

STEP 2:

- SELECT CABINET STYLE:
 SURFACE MOUNTED
 SEMI-RECESSED
 FULLY RECESSED

STEP 3:

- SELECT DOOR STYLE:
 FULL GLASS
 FULL METAL
 VERTICAL DUO
 CENTER DUO
 HORIZONTAL DUO

STEP 4:

- SELECT DESIRED SERIES:
 ELITE

STEP 5:

- SELECT CABINET TYPE:
 SAFEGUARD FIRE RATED

STEP 6:

- SELECT FINISH OPTIONS:
 STAINLESS STEEL FRONT
 FULL STAINLESS STEEL
 RED COATED

STEP 7:

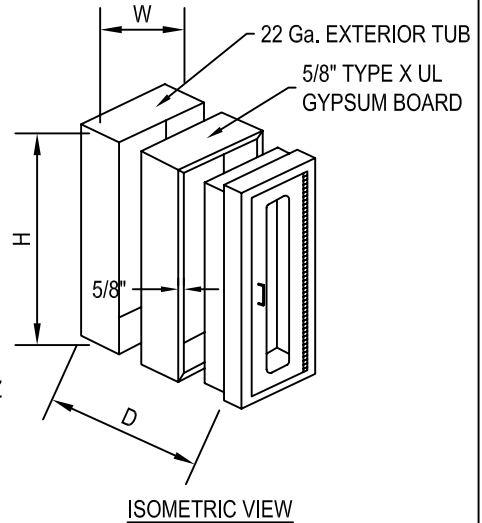
- SELECT HANDLE OPTIONS:
 SAFETY BREAK LOCK
 CENTER DUO SAFETY LOCK
 ALUM. DIE CAST RED FIRE HANDLE
 ADA HANDLE

STEP 8:

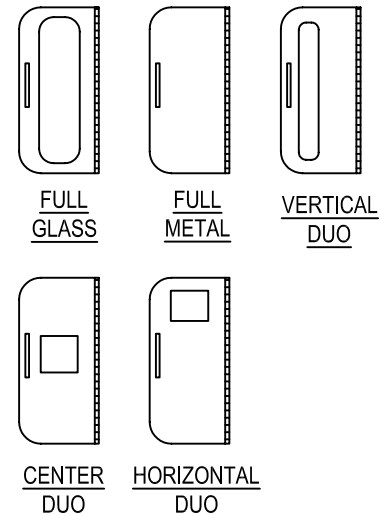
- SELECT GLAZING OPTIONS:
 DOUBLE STRENGTH GLASS
 CLEAR ACRYLIC (STANDARD)
 CLEAR TEMPERED GLASS
 SINGLE STRENGTH GLASS

STEP 9:

- SELECT LETTERING OPTIONS:
 DECAL "PULL FIRMLY"
 DECAL "FIRE EXT." SM VERT
 DECAL "FIRE EXT." LRG VERT
 DECAL "FIRE EXT." SM HORIZ
 DECAL "FIRE EXT." LRG HORIZ

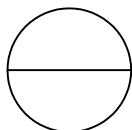


✓ MOD. #	INTERIOR TUB SIZE			OVERALL OUTSIDE TRIM			SAFEGUARD ROUGH OPENING			SAFEGUARD TRIM STYLE	ACCOM. EXT SIZE
	W	H	D	W	H	D	W	H	D		LBS.
SEMI-RECESSED											
516-EL-SG	8"	17"	5"	10 3/4"	19 3/4"	9 3/4"	18 3/4"	4"	1 1/2"		5
517-EL-SG	8"	17"	5"	10 3/4"	19 3/4"	9 3/4"	18 3/4"	4"	1 1/2"		5
518-EL-SG	8"	17"	5"	10 3/4"	19 3/4"	9 3/4"	18 3/4"	4"	1 1/2"		5
116-EL-SG	9 1/2"	24"	6"	13 1/2"	28 1/2"	11 1/4"	25 3/4"	3 3/4"	3"		10
117-EL-SG	9 1/2"	24"	6"	13 1/2"	28 1/2"	11 1/4"	25 3/4"	3 3/4"	3"		10
118-EL-SG	9 1/2"	24"	6"	13 1/2"	28 1/2"	11 1/4"	25 3/4"	3 3/4"	3"		10
216-EL-SG	12"	27"	8"	16"	31"	13 1/2"	28 3/4"	4 3/4"	4"		20
217-EL-SG	12"	27"	8"	16"	31"	13 1/2"	28 3/4"	4 3/4"	4"		20
218-EL-SG	12"	27"	8"	16"	31"	13 1/2"	28 3/4"	4 3/4"	4"		20
FULLY-RECESSED											
526-EL-SG	8"	16 3/4"	5"	12"	21"	9 3/4"	18 3/4"	5 1/2"	1/4"		5
527-EL-SG	8"	16 3/4"	5"	12"	21"	9 3/4"	18 3/4"	5 1/2"	1/4"		5
528-EL-SG	8"	16 3/4"	5"	12"	21"	9 3/4"	18 3/4"	5 1/2"	1/4"		5
126-EL-SG	9 1/2"	24"	6"	14"	28 1/2"	11 1/4"	25 3/4"	6 1/2"	1/4"		10
127-EL-SG	9 1/2"	24"	6"	14"	28 1/2"	11 1/4"	25 3/4"	6 1/2"	1/4"		10
128-EL-SG	9 1/2"	24"	6"	14"	28 1/2"	11 1/4"	25 3/4"	6 1/2"	1/4"		10
226-EL-SG	12"	27"	8"	16"	31"	13 1/2"	28 3/4"	8 1/2"	1/4"		20
227-EL-SG	12"	27"	8"	16"	31"	13 1/2"	28 3/4"	8 1/2"	1/4"		20
228-EL-SG	12"	27"	8"	16"	31"	13 1/2"	28 3/4"	8 1/2"	1/4"		20



NOTES:

1. INSTALLATION TO BE COMPLETED IN ACCORDANCE WITH MANUFACTURERS SPECIFICATIONS.
2. DO NOT SCALE DRAWINGS.
3. CONTRACTORS NOTE: FOR PRODUCT AND COMPANY INFORMATION VISIT www.CADdetails.com/info REFERENCE NUMBER 2736-021.



ELITE SAFEGUARD SERIES FIRE EXTINGUISHER CABINETS

EL-ELITE ARCHITECTURAL SERIES FIRE EXTINGUISHER CABINETS (FIRE RATED)