

Detail & Submittal Sheet

Construction Specifications:

Hydrant House

- Used to enclose hydrant and store fire fighting equipment
- 16 gauge satin coat sheet steel and ventilation louvers
- Spacious "walk-in" design features an open floor and two sturdy storage shelves
- Double doors furnished with heavy-duty piano hinges AND locking handle

- Unit is shipped knocked down with assembly instructions
- Finish: one coat grey primer and two coats of baked red enamel

Project: _____

Specification Reference: _____

Model Number: _____ Quantity: _____

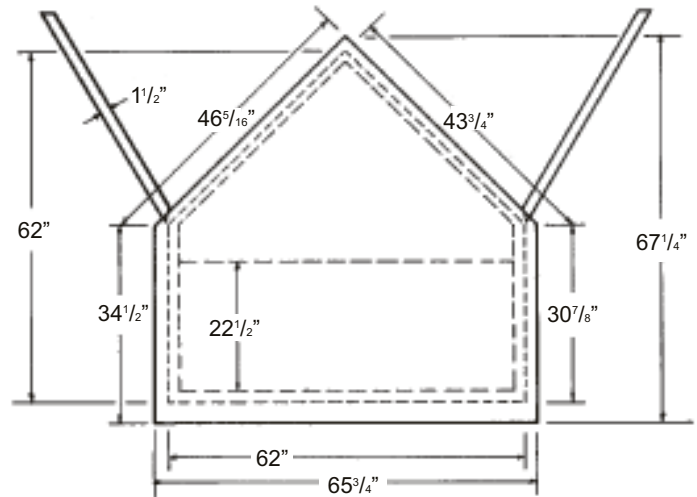
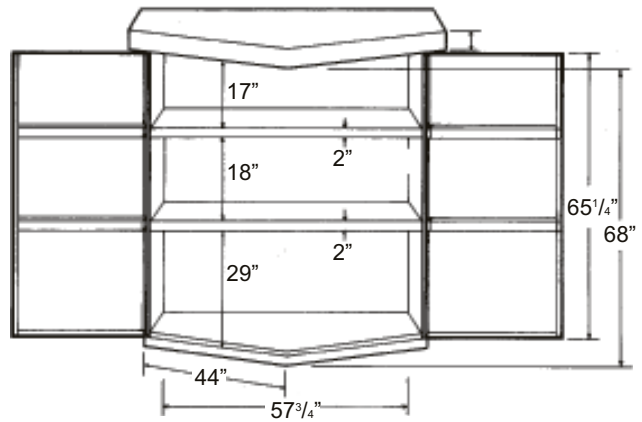
Architect: _____

Contractor: _____

Distributor: _____

Approved By: _____

Date: _____



✓	Model Number	Description	Shipping Weight
			Lbs.
Hose and Hydrant House			
	HYDRANT	Hydrant house, 65 3/4" W x 72" H x 67 1/4" D	600