



# STRIKE FIRST CORPORATION

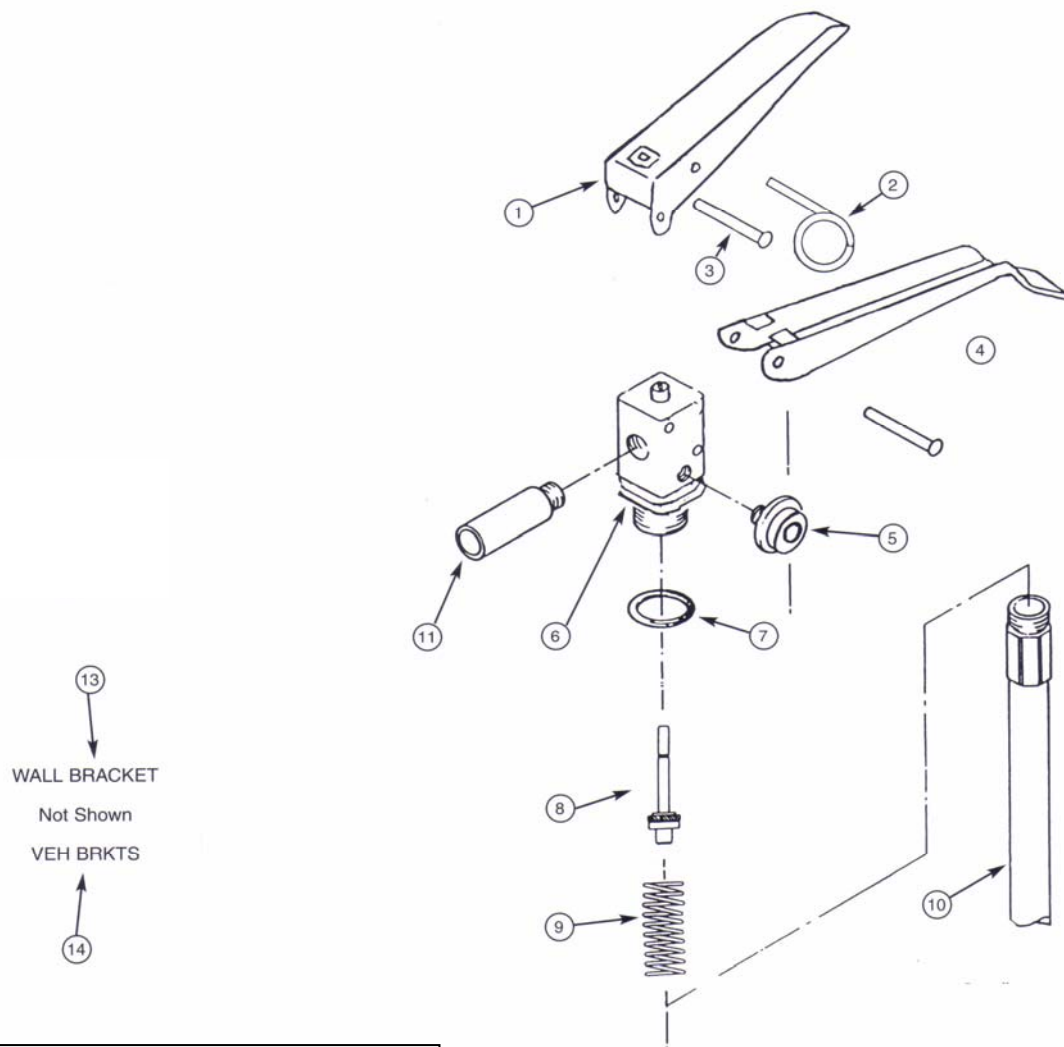
SERVICE MANUAL:  
PART No. C250025

## ABC DRY CHEMICAL (2.5 lb)

UL Rating: 1A - 10BC

Model: SF-ABC110ST

ITEM #	PART #	DESCRIPTION
1	C110414	Top Lever
2	C110236	Pull Pin
3	C110803	Handle Rivet
4	C110396	Carry Handle
5	G150PSI	Pressure Gauge
6	C110688	Valve Body
	C110700	Valve Body Assembly*
7	C110345	O'Ring (Valve Body) .115
8	C110427	Valve Stem Assembly
9	C110230	Spring
10	C110948	Syphon Tube Assembly
11	C110999	Fixed Nozzle (.147)
13	C160700	Wall Bracket
14	UP2	Vehicle Bracket



**\* NOTE - Valve Body Assemblies include: Top Lever, Carry Handle, 2 x Rivets, Valve Body, Gauge, .115 O-Ring, Pull Pin & Retaining Strap**



# STRIKE FIRST CORPORATION

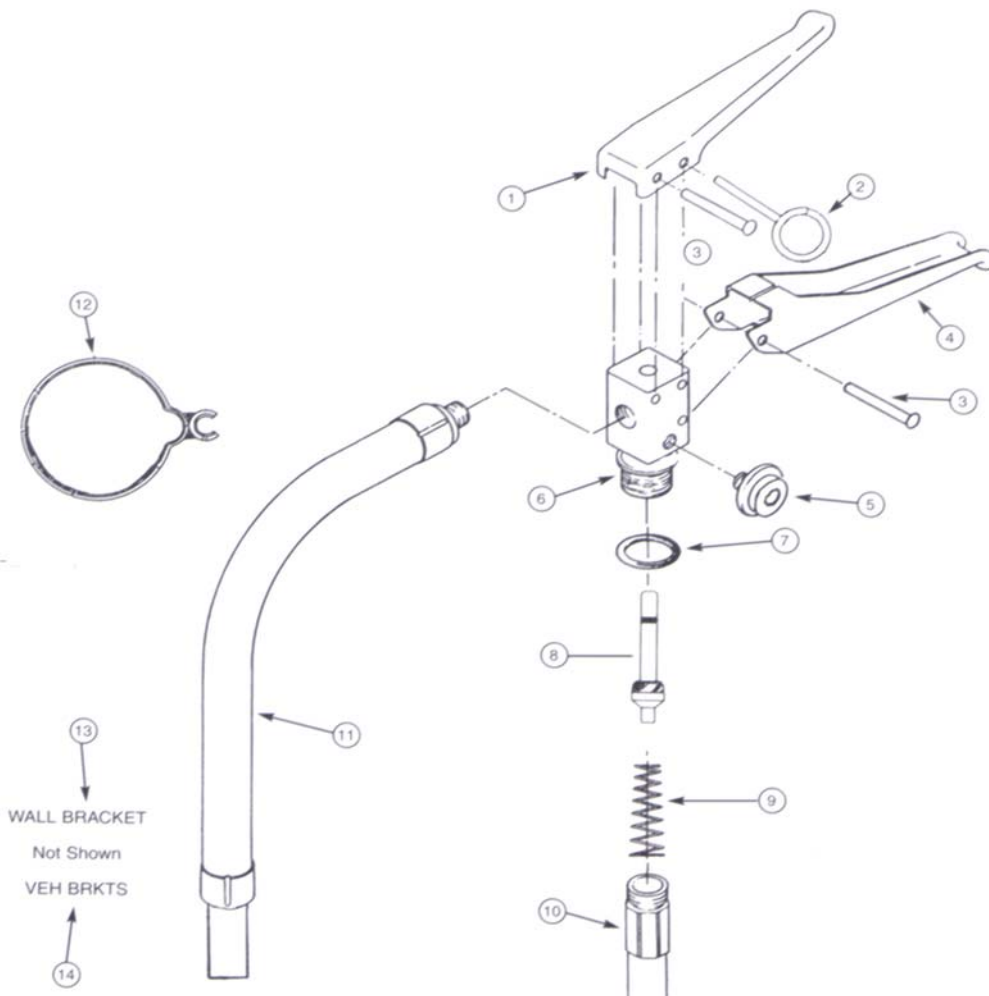
SERVICE MANUAL:  
PART No. C250210

## ABC DRY CHEMICAL (5 lb)

UL Rating: 2A - 10BC

MODEL: SF-ABC210ALV

ITEM #	PART #	DESCRIPTION
1	C160414	Top Lever
2	C951236	Pull Pin
3	C162803	Handle Rivet
4	C160396	Carry Handle
5	G195PSI	Pressure Gauge
6	C160688	Valve Body
	C160700	Valve Body Assembly*
7	C161345	O'Ring (Valve Body) .118
8	C161428	Valve Stem Assembly
9	C161230	Spring
10	C163518	Syphon Tube Assembly
11	C161605	Hose Assembly - ABC
12	C160500	Hose Band
13	C160738	Wall Bracket
14	UB5	Vehicle Bracket



**\* NOTE - Valve Body Assemblies include: Top Lever, Carry Handle, 2 x Rivets, Valve Body, Gauge, .118 O-Ring, Pull Pin & Retaining Strap**



# STRIKE FIRST CORPORATION

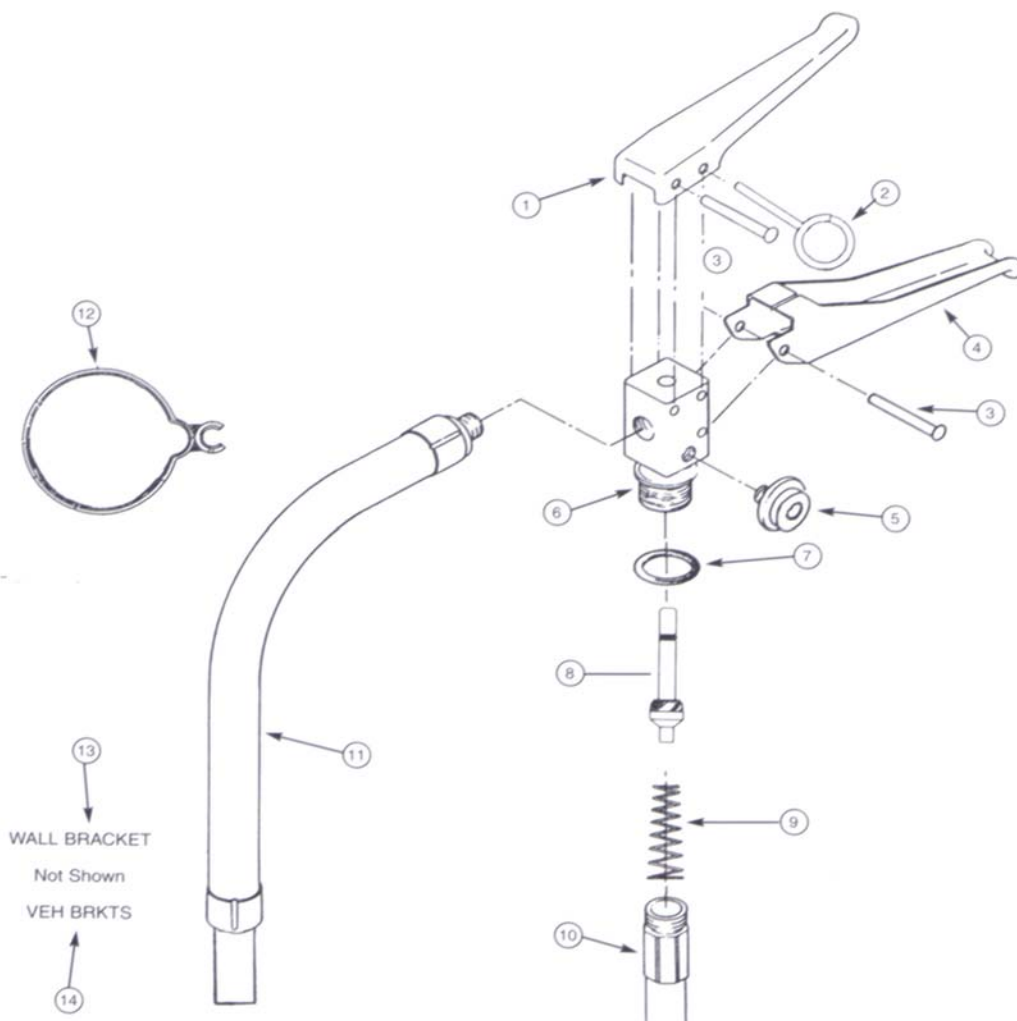
SERVICE MANUAL:  
PART No. C250340

## ABC DRY CHEMICAL (5 lb)

UL Rating: 3A - 40BC

MODEL: SF-ABC340ALV

ITEM #	PART #	DESCRIPTION
1	C160414	Top Lever
2	C951236	Pull Pin
3	C162803	Handle Rivet
4	C160396	Carry Handle
5	G195PSI	Pressure Gauge
6	C160688	Valve Body
	C160700	Valve Body Assembly*
7	C161345	O'Ring (Valve Body) .118
8	C161428	Valve Stem Assembly
9	C161230	Spring
10	C163519	Syphon Tube Assembly
11	C161606	Hose Assembly
12	C160500	Hose Band
13	C160738	Wall Bracket
14	UB5	Vehicle Bracket



**\* NOTE - Valve Body Assemblies include: Top Lever, Carry Handle, 2 x Rivets, Valve Body, Gauge, .118 O-Ring, Pull Pin & Retaining Strap**



# STRIKE FIRST CORPORATION

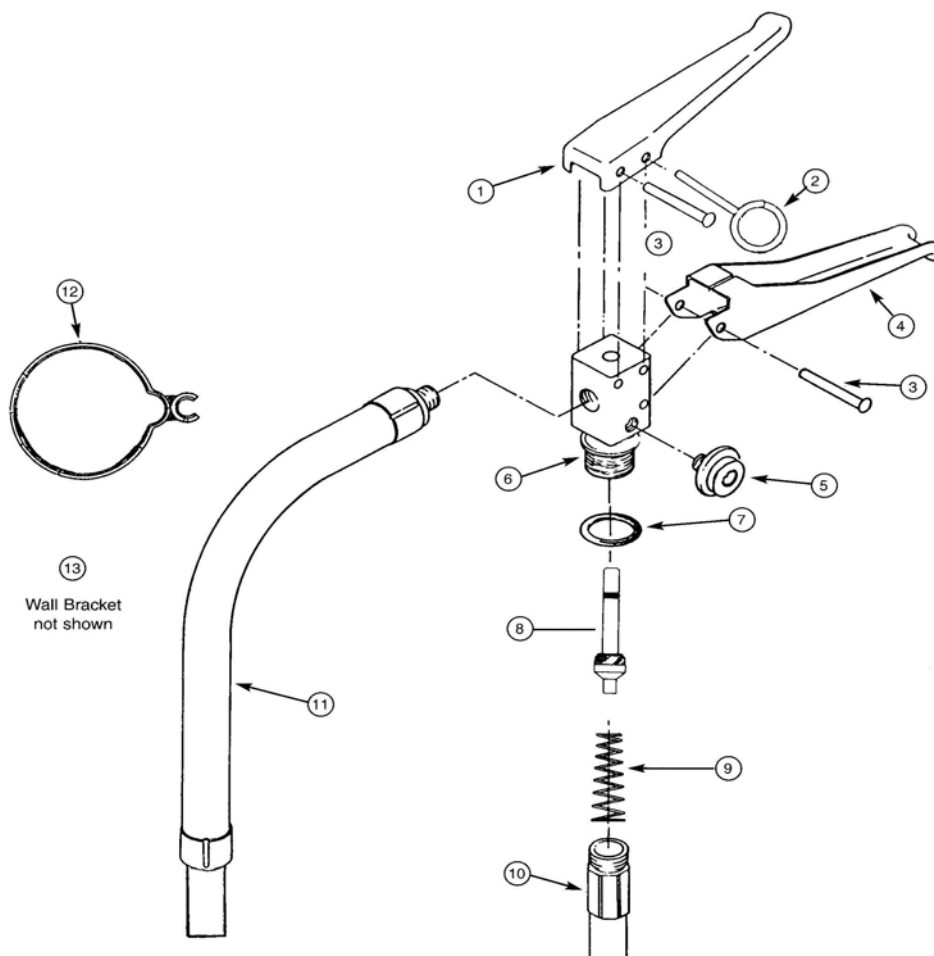
SERVICE MANUAL:  
PART No. C250010

## ABC DRY CHEMICAL (10lb)

UL Rating: 6A - 80BC

MODEL: SF-ABC480AP

ITEM #	PART #	DESCRIPTION
1	C160414	Diamond Top Lever (Black Steel)
2	C951236	Pull Pin
3	C162803	Handle Rivet
4	C160396	Diamond Carry Handle (Black Steel)
5	G235PSI	Pressure Gauge
6	C160688	Valve Body
	C160710	Valve Body Assembly*
7	C161345	O'Ring (Valve Body) .118
8	C161428	Valve Stem Assembly
9	C161230	Spring
10	C163532	Syphon Tube Assembly
11	C162276	Hose Assembly
12	C160150	Hose Band
13	C160752	Wall Bracket



**\* NOTE - Valve Body Assemblies include: Top Lever, Carry Handle, 2 x Rivets, Valve Body, Gauge, .118 O-Ring, Pull Pin & Retaining Strap**



# STRIKE FIRST CORPORATION

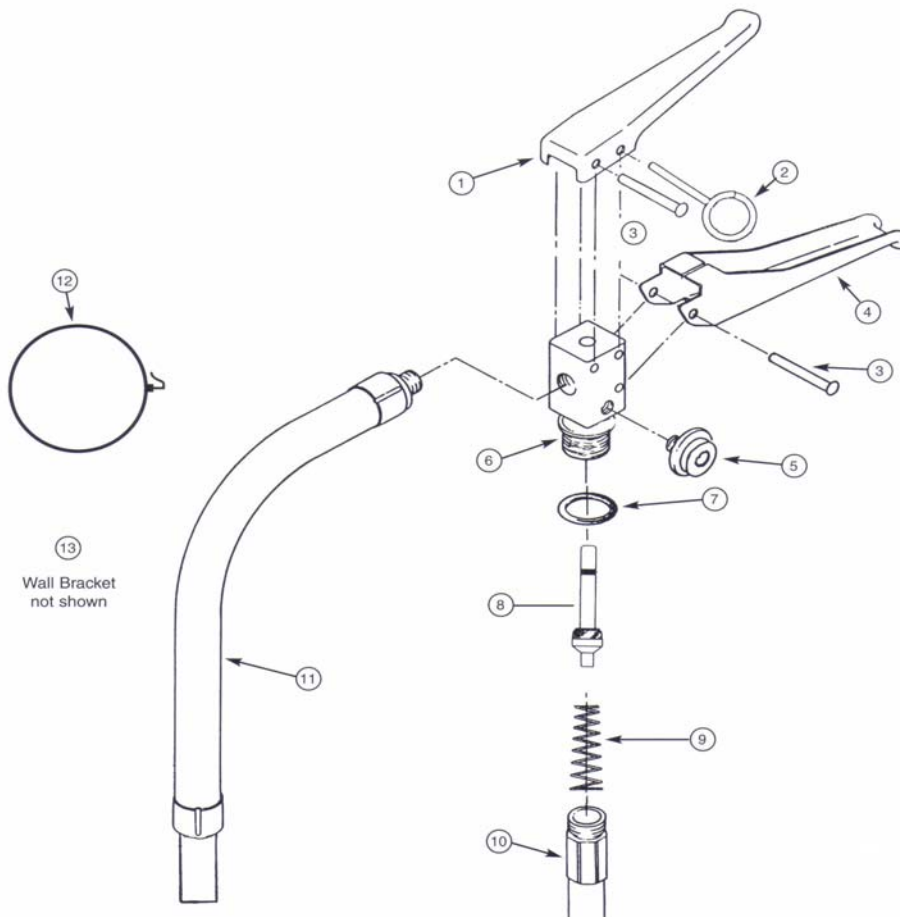
SERVICE MANUAL:  
PART No. C250020

## ABC DRY CHEMICAL (20lb)

UL Rating: 10A - 120BC

MODEL: SF-ABC1020AP

ITEM #	PART #	DESCRIPTION
1	C160414	Diamond Top Lever (Black Steel)
2	C951236	Pull Pin
3	C162803	Handle Rivet
4	C160395	Diamond Carry Handle (Black Steel)
5	G235PSI	Pressure Gauge
6	C160688	Valve Body
	C160720	Valve Body Assembly*
7	C161345	O'Ring (Valve Body) .118
8	C161428	Valve Stem Assembly
9	C161230	Spring
10	C163549	Syphon Tube Assembly
11	C162269	Hose Assembly
12	C160200	Hose Band
13	C160791	Wall Bracket



**\* NOTE - Valve Body Assemblies include: Top Lever, Carry Handle, 2 x Rivets, Valve Body, Gauge, .118 O-Ring, Pull Pin & Retaining Strap**



# STRIKE FIRST CORPORATION

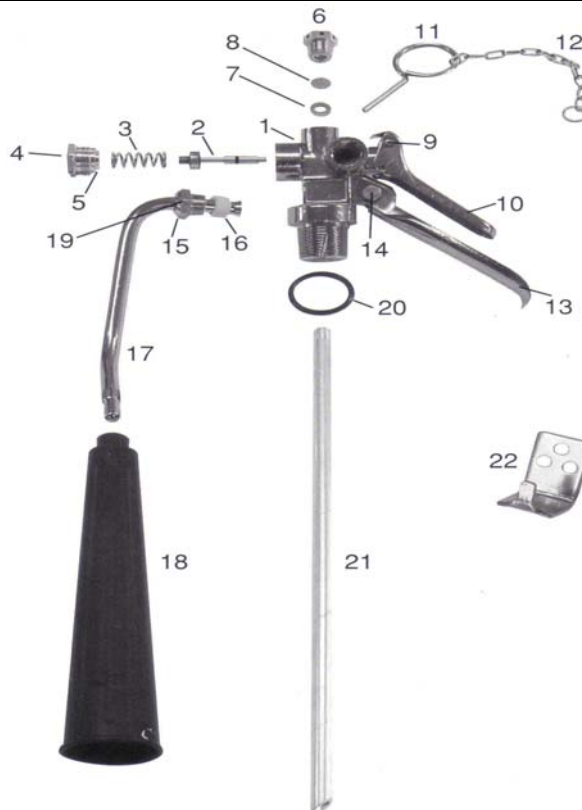
SERVICE MANUAL:  
PART No. SF3115A1

## CARBON DIOXIDE (5lb)

UL Rating: 5BC

MODEL: SF-5CO2A

ITEM #	PART #	DESCRIPTION
1	SF3115A1	VALVE BODY ASSEMBLY <i>Includes:</i> Valve Body Valve Stem & Spring O-Ring - Valve Body Spring Retainer Nut & Washer Top Lever - Stainless Steel Safety Cap, Washer & Disc Carry Handle - Stainless Steel Swivel Tube Assembly
2	SF31132	STEM ASSEMBLY
3	SF31142	SPRING
4	SF31143	SPRING RETAINER NUT ASSEMBLY
5	-	WASHER ( <i>Included with SF31143</i> )
6	SF31145	SAFETY CAP ASSEMBLY
7	-	WASHER ( <i>Included with SF31145</i> )
8	-	DISK ( <i>Included with SF31145</i> )
9	SF31138	TOP LEVER RIVET (STAINLESS STEEL)
10	SF31152	TOP LEVER (STAINLESS STEEL)
11	SF31153	PULL PIN (STAINLESS STEEL)
12	SF31135	CHAIN (STAINLESS STEEL)
13	SF31148	CARRY HANDLE (STAINLESS STEEL)
14	SF31148	CARRY HANDLE NUT & BOLT (STAINLESS STEEL)
15	SF31131	SWIVEL TUBE ASSEMBLY
16		
17		
18	SF11309	HORN
19	-	O-RING - SWIVEL TUBE ( <i>Included with SF31131</i> )
20	SF20917	O-RING - VALVE BODY
21	SF5ST	SIPHON TUBE
22	SF5WH	WALL HOOK





# STRIKE FIRST CORPORATION

**CARBON DIOXIDE (10lb, 15lb & 20lb)**

UL Rating: 10BC

MODELS: SF-10CO2A, SF-15CO2A, SF-20CO2A

SERVICE MANUAL:  
PART No. SFCO2-1

ITEM #	PART #	DESCRIPTION
1	SF31151	VALVE BODY ASSEMBLY <i>Includes:</i> Valve Body Valve Stem & Spring O-Ring - Valve Body Spring Retainer Nut & Washer Top Lever - Stainless Steel Safety Cap, Washer & Disc Carry Handle - Stainless Steel Elbow
2	SF31132	STEM ASSEMBLY
3	SF31142	SPRING
4	SF31143	SPRING RETAINER NUT
5	-	WASHER ( <i>Included with SF31143</i> )
6	SF31145	SAFETY CAP ASSEMBLY
7	-	WASHER ( <i>Included with SF31145</i> )
8	-	DISK ( <i>Included with SF31145</i> )
9	SF31138	TOP LEVER RIVET (STAINLESS STEEL)
10	SF31152	TOP LEVER (STAINLESS STEEL)
11	SF31153	PULL PIN (STAINLESS STEEL)
12	SF31135	CHAIN (STAINLESS STEEL)
13	SF31148	CARRY HANDLE (STAINLESS STEEL)
14	SF31148	CARRY HANDLE NUT & BOLT (STAINLESS STEEL)
15	SF31146	ELBOW
16	SF20217	O-RING - VALVE BODY
17	SF10ST	SIPHON TUBE- 10 LB.
	SF1520ST	SIPHON TUBE- 15 & 20 LB.
18	SF36A	HOSE
19	SF21204	RUBBER GRIP
20	SF21202	CO2 HORN 6" DISCHARGE PIPE NIPPLE
21	SF21273	HORN DIFFUSER LOCK NUT
22	SF21251	HORN- 10 LB.
	SF21271	HORN- 15 & 20 LB.
23	SF1015BD	BAND ASSEMBLY 10 & 15 LB.
	SF20BD	BAND ASSEMBLY 20 LB.
24	SF10031	BAND HOUSING
25	SF20111	BAND RETAINER NUT AND BOLT
26	-	HORN HOLDER CLIP ( <i>Included with Part 23</i> )
27	SF1015WH	WALL HOOK 10 & 15 LB.
	SF20WH	WALL HOOK 20 LB.





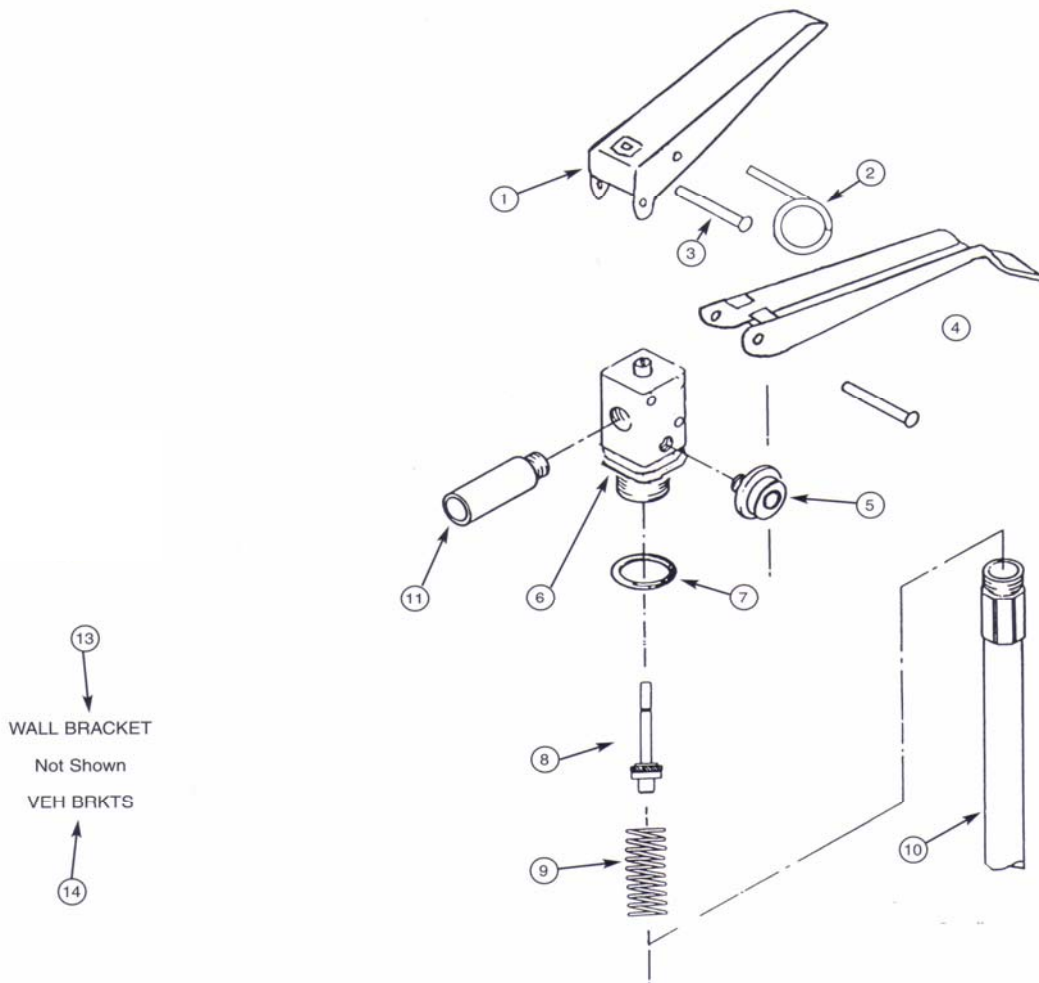
# STRIKE FIRST CORPORATION

ABC DRY CHEMICAL (2.5lb)

UL Rating: 1A - 10BC

MODEL: WBSF-110AP (Aluminum Cylinder)

ITEM #	PART #	DESCRIPTION
1	C110414	Top Lever
2	C110236	Pull Pin
3	C110803	Handle Rivet
4	C110396	Carry Handle
5	G150PSI	Pressure Gauge
6	C110688	Valve Body
	C110700	Valve Body Assembly*
7	C110345	O'Ring (Valve Body) .115
8	C110427	Valve Stem Assembly
9	C110230	Spring
10	C110947	Syphon Tube Assembly
11	C110999	Fixed Nozzle (.147)
13	C160700	Wall Bracket
14	UP2	Vehicle Bracket



**\* NOTE - Valve Body Assemblies include: Top Lever, Carry Handle, 2 x Rivets, Valve Body, Gauge, .115 O-Ring, Pull Pin & Retaining Strap**



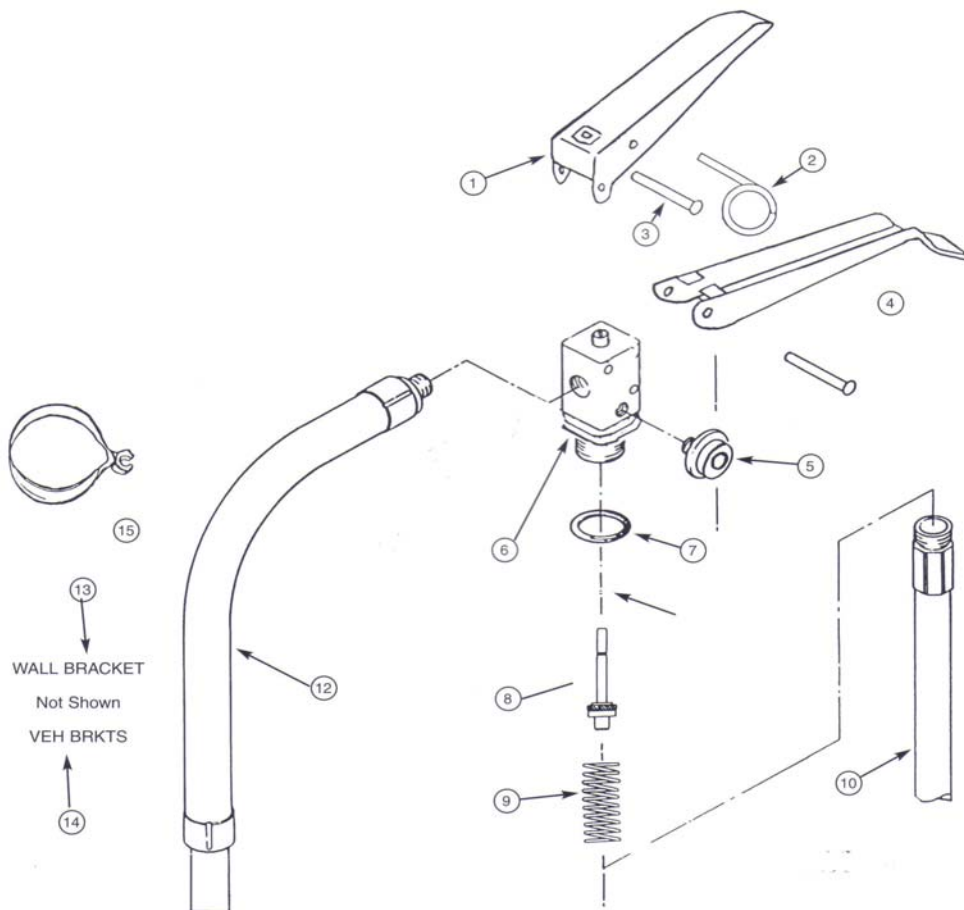
# STRIKE FIRST CORPORATION

## ABC-BC DRY CHEMICAL (5lb)

UL Rating: 2A - 10BC

MODEL: WBSF-ABC210AP

ITEM #	PART #	DESCRIPTION
1	C310415	Top Lever
2	C110236	Pull Pin
3	C110803	Handle Rivet
4	C110396	Carry Handle
5	G195PSI	Pressure Gauge
6	C110688	Valve Body
7	C110345	O'Ring (Valve Body) .115
8	C110427	Valve Stem Assembly </td
9	C110230	Spring
10	C310517	Syphon Tube Assembly
12	C310605	Hose Assembly
13	C310740	Wall Bracket
14	UP5	Vehicle Bracket
15	C160500	Hose Band





# STRIKE FIRST CORPORATION

## ABC DRY CHEMICAL (5lb)

UL Rating: 3A - 40BC

MODEL: WBSF-ABC340AP

ITEM #	PART #	DESCRIPTION
1	C310415	Top Lever
2	C110236	Pull Pin
3	C110803	Handle Rivet
4	C110396	Carry Handle
5	G195PSI	Pressure Gauge
6	C110688	Valve Body
7	C110345	O'Ring (Valve Body) .115
8	C110427	Valve Stem Assembly
9	C110230	Spring
10	C340518	Syphon Tube Assembly
12	C340605	Hose Assembly
13	C310740	Wall Bracket
14	UP5	Vehicle Bracket
15	C160500	Hose Band

