



**Strike First Corporation of America**

**APEX Non-Rated & SAFEGUARD Series Fire- Rated BUBBLE Canopy**

**Detail & Submittal Sheet**

Project: \_\_\_\_\_

Specification Reference: \_\_\_\_\_

Model Number: \_\_\_\_\_ Quantity: \_\_\_\_\_

Architect: \_\_\_\_\_

Contractor: \_\_\_\_\_

Distributor: \_\_\_\_\_

Approved By: \_\_\_\_\_

Date: \_\_\_\_\_

**Construction Specifications:**

Strike First **Bubble Canopy** Cabinets offer a sleek design including a convex acrylic bubble door extending out from the trim, permitting 180° of visibility for quick identification of the extinguisher.



To comply with ADA Guidelines, Strike First Extinguishers and Cabinets offer handles, brackets and return trims according to instruction provided by installer. For ADA compli-

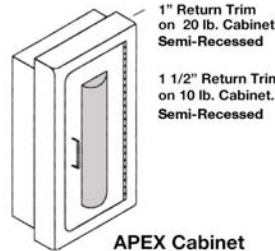
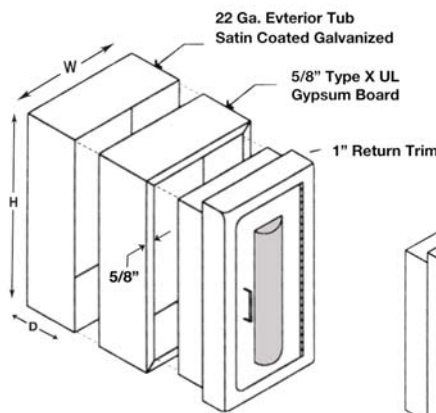
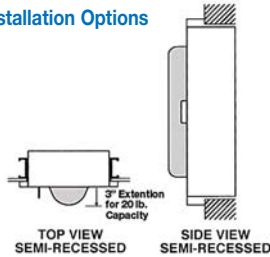
ance follow the specification ordering process dimensions in our catalog. Proper installation in accordance with the ADA Guidelines is the sole responsibility of the installer. For more information please visit the Accessibility Guidelines for Buildings and Facilities website or call them at 1-800-872-2253.

**Step 1** Select Model Number and Quantity and indicate on the line above.

✓	Mod. #	Return Trim	Interior Tub Size			Overall Outside Trim Dim.		Rough Opening			Shipping Weight In Lbs	Accom. Ext. Size In Lbs.
			W	H	D	W	H	W	H	D		
<b>APEX NON-FIRE RATED BUBBLE CABINETS SURFACE MOUNTED</b>												
	A-10-BC	-	10 1/2"	24"	4 1/2"	11"	24 1/2"	-	-	-	18	10
<b>APEX NON-FIRE RATED BUBBLE CABINETS SEMI-RECESSED</b>												
	A-11-BC	1 1/2"	10 1/2"	24"	4 1/2"	14 1/2"	28"	10 3/4"	24 1/4"	3"	18	10
	S-11-BC	1 1/2"	10 1/2"	24"	4 1/2"	14 1/2"	28"	12 1/4"	25 3/4"	3 3/4"	40	10
	A-21-BC	1"	14 1/2"	30"	4"	18 1/2"	34"	14 3/4"	30 1/4"	4 1/4"	36	20
	S-21-BC	1"	14 1/2"	30"	4"	18 1/2"	34"	16 1/4"	31 3/4"	5"	68	20
<b>SAFEGUARD FIRE RATED BUBBLE CABINETS FULLY-RECESSED</b>												
	A-12-BC	1/4"	10 1/2"	24"	4 1/2"	14 1/2"	28"	10 3/4"	24 1/4"	4 1/2"	16	10
	S-12-BC	1/4"	10 1/2"	24"	4 1/2"	14 1/2"	28"	12 1/4"	25 3/4"	5 1/4"	38	10

**Step 2** Customize your cabinet with the following options:

**Installation Options**



**Model Numbers**

- Series: **A** = Apex (non-rated)
- S** = Safeguard (rated)
- Cabinet Style: **SM** = Surface
- SR** = Semi-Recessed
- FR** = Fully-Recessed
- Cabinet Type: **BC** = Bubble Cabinet

**Additional Options At Extra Cost**

Select Door Handle Style (✓one box below):

- Safety Break Lock
- ADA Handle
- Aluminum Die Cast "Red" Fire Handle

Select optional vertical lettering (✓one box below):

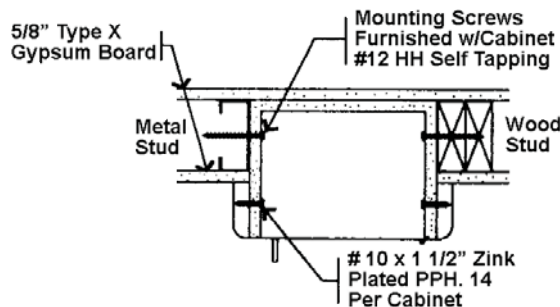
- Decal "Fire Ext." Lrg Vert **Red**
- Decal "Fire Ext." Lrg Vert **Black**

**WARNOCK HERSEY LISTED**  
UL Classified 5/8" Type X gypsum board inserted in the cavity between the two layers. Warnock Hersey has approved the Safeguard Cabinets to be mounted in any face of fire rated steel or wood stud for up to 2 hour rated walls without affecting its fire rating. The above meets the requirement test ASTM-E119-98 with test report WHI-495-1534. MOUNTING INSTRUCTIONS are supplied with each safeguard cabinet.

**SAFEGUARD**

**Typical Semi-Recessed Fire Rated Installation**

**ONE HOUR FIRE WALL SYSTEM**



**TWO HOUR FIRE WALL SYSTEM**

