



**Strike First Corporation of America**

# APEX Series Non-Rated Extinguisher Cabinet RADIUS CORNERS

## Detail & Submittal Sheet

Project: \_\_\_\_\_

Specification Reference: \_\_\_\_\_

Model Number: \_\_\_\_\_ Quantity: \_\_\_\_\_

Architect: \_\_\_\_\_

Contractor: \_\_\_\_\_

Distributor: \_\_\_\_\_

Approved By: \_\_\_\_\_

Date: \_\_\_\_\_

### Construction Specifications:

All cabinet fronts are 16 gauge cold rolled steel welded to 22 gauge cold rolled steel tubs. Fronts are baked white enamel over rust inhibiting phosphate treated steel. All fronts have radius corners except the Apex 5lb #516, 517, 518 have a 1" square trim. The #304 stainless steel satin finish #4 fronts are adjustable to the tub. Full stainless steel cabinets are welded.

brackets and return trims according to instruction provided by installer. For ADA compliance follow the specification ordering process dimensions in our catalog. Proper installation in accordance with the ADA Guidelines is the sole responsibility of the installer. For more information please visit the Accessibility Guidelines for Buildings and Facilities website or call them at 1-800-872-2253.

To comply with ADA Guidelines, Strike First Extinguishers and Cabinets offer handles,

### Step 1 Select Model Number and Quantity and indicate on the line above.

| ✓  | Mod. # | Description  | Return Trim | Interior Tub Size |     |    | Overall Outside Trim Dim. |         | Rough Opening |         |        | Shipping Weight<br>In Lbs | Accom. Ext. Size<br>In Lbs. |
|--|--------|--------------|-------------|-------------------|-----|----|---------------------------|---------|---------------|---------|--------|---------------------------|-----------------------------|
|  |        |              |             | W                 | H   | D  | W                         | H       | W             | H       | D      |                           |                             |
| <b>APEX SEMI-RECESSED RADIUS CORNERS</b> |        |              |             |                   |     |    |                           |         |               |         |        |                           |                             |
|  | A-116  | Apex SR10-FG | 2 1/2"      | 9 1/2"            | 24" | 6" | 13 1/2"                   | 28 1/2" | 9 3/4"        | 24 1/4" | 3 1/2" | 20                        | 10                          |
|  | A-117  | Apex SR10-FM | 2 1/2"      | 9 1/2"            | 24" | 6" | 13 1/2"                   | 28 1/2" | 9 3/4"        | 24 1/4" | 3 1/2" | 19                        | 10                          |
|  | A-118  | Apex SR10-VD | 2 1/2"      | 9 1/2"            | 24" | 6" | 13 1/2"                   | 28 1/2" | 9 3/4"        | 24 1/4" | 3 1/2" | 20                        | 10                          |
|  | A-216  | Apex SR20-FG | 3"          | 12"               | 27" | 8" | 16"                       | 31"     | 12 1/4"       | 27 1/4" | 5"     | 24                        | 20                          |
|  | A-217  | Apex SR20-FM | 3"          | 12"               | 27" | 8" | 16"                       | 31"     | 12 1/4"       | 27 1/4" | 5"     | 24                        | 20                          |
|  | A-218  | Apex SR20-VD | 3"          | 12"               | 27" | 8" | 16"                       | 31"     | 12 1/4"       | 27 1/4" | 5"     | 24                        | 20                          |

### Step 2 Customize your cabinet with the following options:

**Standard Door Styles**

Full Glass    Full Metal    Vertical Duo

**Optional Door Styles** *At Extra Cost*

Center Duo    Horizontal Duo

**Installation Options**

Surface

Semi-Recessed 1" Return Trim 5lb. Only  
\*Note: 1 3/4" Return Trim on 5lb Safeguard

Fully-Recessed 1/4" Return Trim

Semi-Recessed 2-1/2" Return Trim  
\*Note: 3" Return Trim Standard on 10lb. Safeguard

**Model Numbers**

**A-506**

- Series: **A** = Apex (non-rated), **S** = Safeguard (rated)
- Extinguisher Size: **5** = 5lb, **1** = 10lb, **2** = 20lb
- Cabinet Style: **0** = Surface, **1** = Semi-Recessed, **2** = Fully-Recessed
- Door Style: **6** = Full Glass, **7** = Full Metal, **8** = Vertical Duo, **9** = Center Duo, **10** = Horizontal Duo
- Cabinet Type: **BC** = Bubble Cabinet, **SN** = Sonoma, **VC** = Valve Cabinet, **SQ** = Square Corners

### Additional Options At Extra Cost

Select Finish preference (✓ one box below):

- SSF - Stainless Steel Front
- FSS - Fully Stainless Steel

Select Door Handle Style (✓ one box below):

- Safety Break Lock
- Center Duo Safety Lock
- ADA Handle
- Aluminum Die Cast "Red" Fire Handle

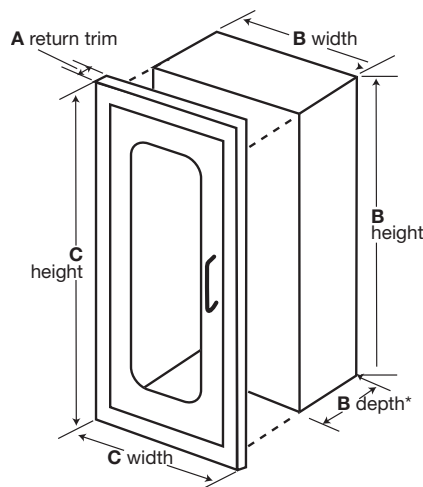
Select Glazing (Glass) Style (✓ one box below):

- Double Strength Glass
- Clear Acrylic
- Clear Tempered Glass
- Single Strength Glass

Select optional vertical lettering (✓ one box below):

- Decal "Pull Firmly..." *R only*
- Decal "Fire Ext." Sm Vert *R/B*
- Decal "Fire Ext." Lrg Vert *R/B*
- Decal "Fire Ext." Sm Horiz *R/B*
- Decal "Fire Ext." Lrg Horiz *R/B*

### How to Measure a cabinet



**A** Return Trim  
**B** Tub Size  
**C** Overall Outside Trim

